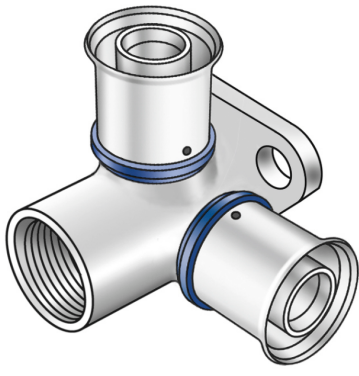


KELOX

KMU475 KELOX-ULTRAX fitting connection tee with female thread 16x1/2"

71252B2B

Areas of application



Press fitting connection tee with female thread made of non-porous metallised brass; including support sleeves with O-rings and stainless steel press-fit sleeves; "leak before pressed"

DO NOT screw in any threaded pipes and cast iron fittings!

Overall height:

1/2" - 46mm

Approvals:



Specifications

Article information

port 1 Pressmuffe

Product information

VPE1	10,00 SA1
VPE2	80,00 KT1
weight	0,239 KGM
text	KELOX-ULTRAX fitting connection tee with female thread
INTRNR	74122000
main material group	KELOX
material group	KELOX-ULTRAX metal fittings
code	KMU475

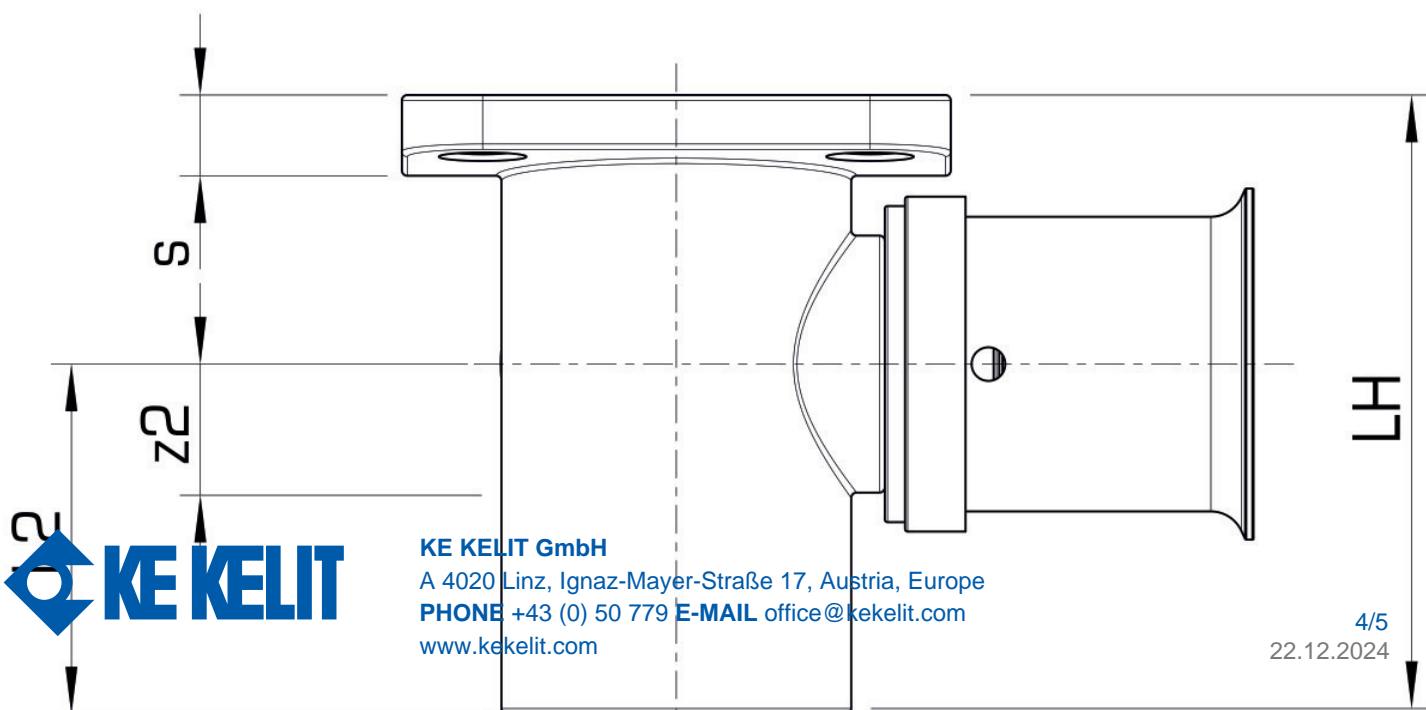
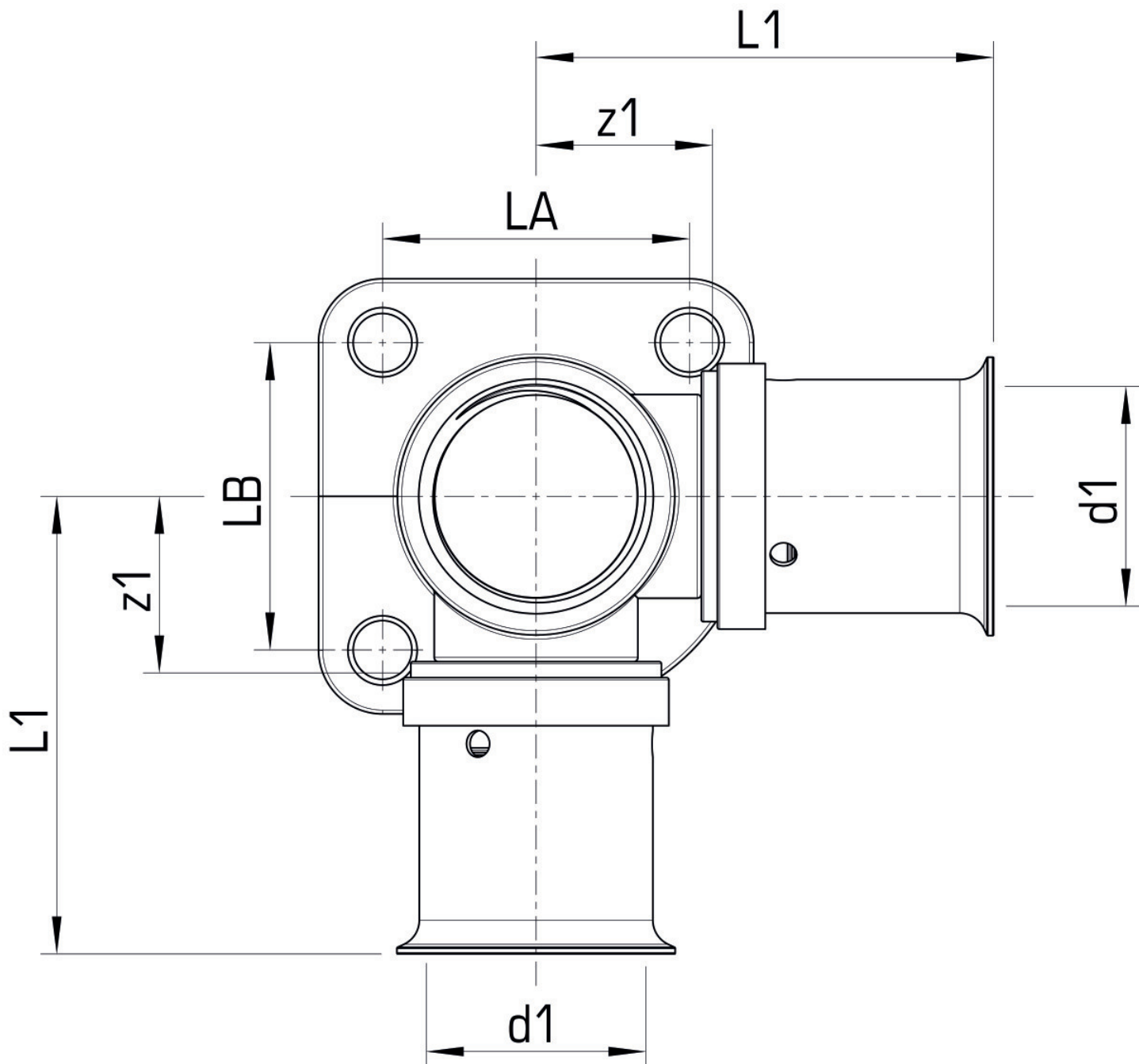


KE KELIT GmbH

A 4020 Linz, Ignaz-Mayer-Straße 17, Austria, Europe

PHONE +43 (0) 50 779 **E-MAIL** office@kekelit.com

www.kekelit.com



KE KELIT GmbH
 A 4020 Linz, Ignaz-Mayer-Straße 17, Austria, Europe
PHONE +43 (0) 50 779 **E-MAIL** office@kekELIT.com
www.kekELIT.com

Art. No	label	d1 mm	L1 mm	L2 mm	L3 mm	z1 mm	z2 mm	z3 mm
71252B2B	16x1/2"	16	40	40	26	17,5	17,5	8



KE KELIT GmbH

A 4020 Linz, Ignaz-Mayer-Straße 17, Austria, Europe

PHONE +43 (0) 50 779 **E-MAIL** office@kekelit.com

www.kekelit.com