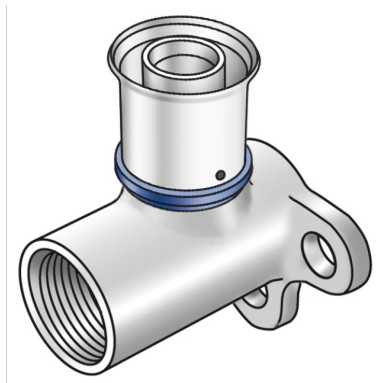


KELOX

KMU480 KELOX-ULTRAX wall bracket fitting 90° female 20x3/4"

71250D04

Areas of application



Press-fit wall bracket fitting with female thread made from non-porous metallised brass; including support sleeves with O-rings and stainless steel press-fit sleeves, "leak before pressed"

Overall height:

1/2" - 46mm

d20x3/4" - 49mm

d25x3/4" - 56mm

DO NOT screw in threaded pipes and cast iron fittings!

Approvals:



Specifications

Article information

port 1	Pressing socket
design	Continuously right-angled
press contour	U

Technical properties

maximum working pressure at 20 ° C	10
------------------------------------	----

Product information

VPE1	10,00 SA1
VPE2	80,00 KT1
weight	0,148 KGM
text	KELOX-ULTRAX wall bracket fitting 90° female
INTRNR	74122000
main material group	KELOX
material group	KELOX-ULTRAX metal fittings
code	KMU480

