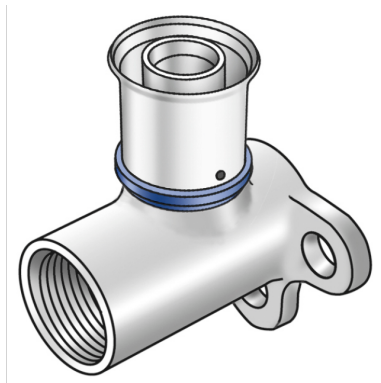


# KELOX

## KMU480 KELOX-ULTRAX wall bracket fitting 90° female 25x3/4"

71250E04

### Areas of application



Press-fit wall bracket fitting with female thread made from non-porous metallised brass; including support sleeves with O-rings and stainless steel press-fit sleeves, "leak before pressed"

Overall height:

1/2" - 46mm

d20x3/4" - 49mm

d25x3/4" - 56mm

DO NOT screw in threaded pipes and cast iron fittings!

## Approvals:



# Specifications

## Article information

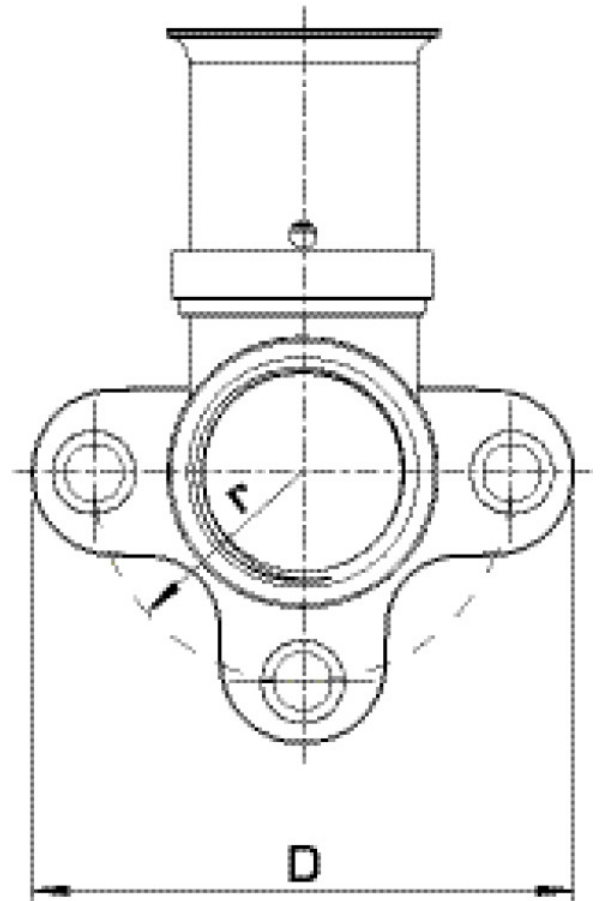
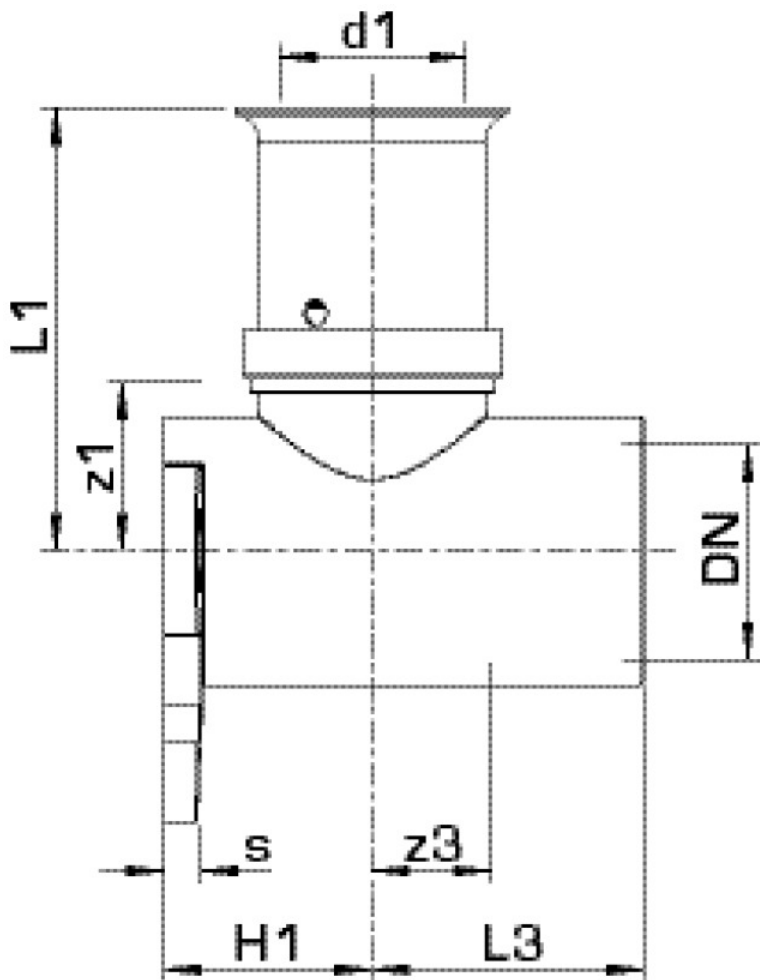
port 1	Pressing socket
design	Continuously right-angled
press contour	U

## Technical properties

maximum working pressure at 20 ° C	10 bar
------------------------------------	--------

## Product information

VPE1	6,00 SA1
VPE2	60,00 KT1
weight	0,162 KGM
text	KELOX-ULTRAX wall bracket fitting 90° female
INTRNR	74122000
main material group	KELOX
material group	KELOX-ULTRAX metal fittings
code	KMU480



Art. No	label	d1 mm	L1 mm	L2	L3 mm	z1 mm	z2	z3 mm
71250E04	25x3/4"	25	54	28	28	21	10	11