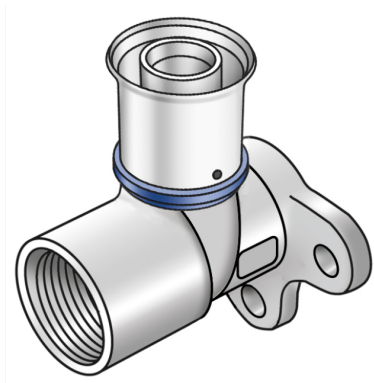


KELOX

KMU480Z KELOX-ULTRAX zeta wall bracket fitting 90° female 16x1/2"

71252B02

Areas of application



Zeta value-optimised press-fit wall bracket fitting with female thread made from non-porous metallised brass, including support sleeves with O-rings and stainless steel press-fit sleeves, "leak before pressed"

Overall height:

1/2" - 46mm

DO NOT screw in threaded pipes and cast iron fittings!

Approvals:



Specifications

Article information

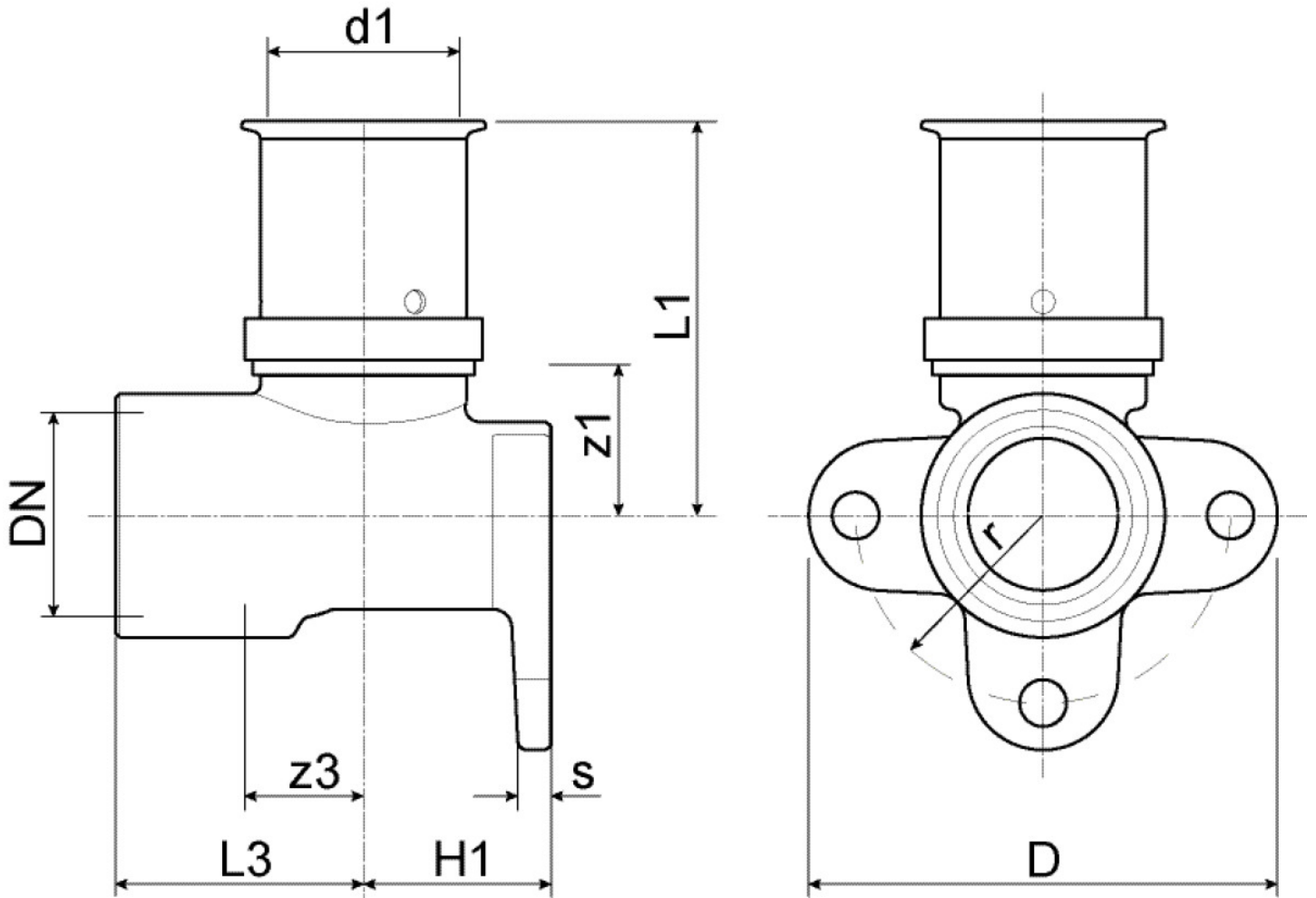
port 1	Pressing socket
design	Continuously right-angled
press contour	U

Technical properties

maximum working pressure at 20 ° C	10 bar
------------------------------------	--------

Product information

VPE1	10,00 SA1
VPE2	100,00 KT1
weight	0,128 KGM
text	KELOX-ULTRAX zeta wall bracket fitting 90° female
INTRNR	74122000
main material group	KELOX
material group	KELOX-ULTRAX metal fittings
code	KMU480Z



Art. No	label	d1 mm	L1 mm	L2	L3 mm	z1 mm	z2	z3 mm
71252B02	16x1/2"	16	42,5	26,5	26	17	15	10