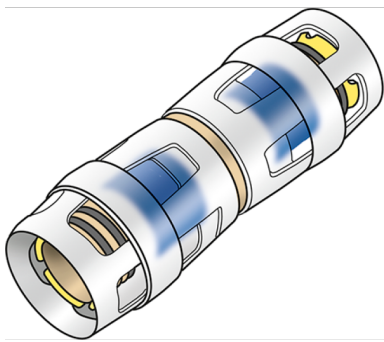


KELOX

KMP410 ?KELOX-PROTEC coupling 25/20

73100ED0

Areas of application



?Plug-in coupling equal or reduced, made of dezincification-resistant brass (DZR), incl. support sleeves, O-rings, pull-out barriers and a protector ring as insertion locking device

Approvals:



KE KELIT GmbH

A 4020 Linz, Ignaz-Mayer-Straße 17, Austria, Europe

PHONE +43 (0) 50 779 E-MAIL office@kekelit.com

www.kekelit.com

Specifications

Article information

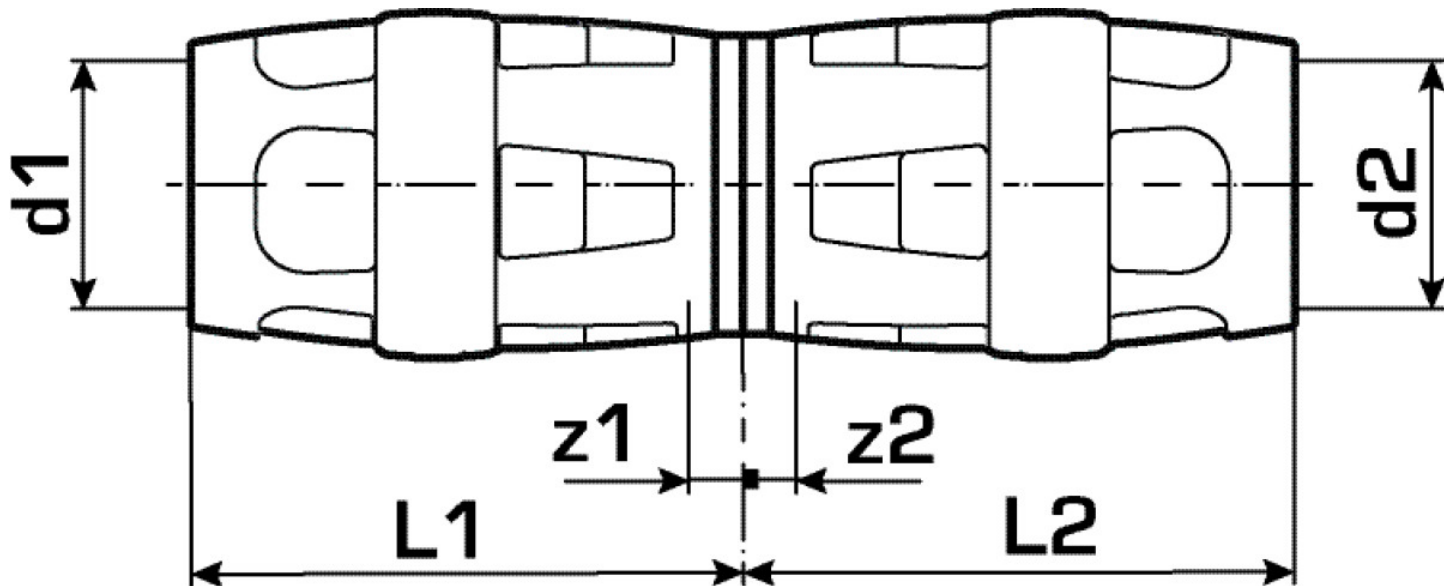
port 1	Plug-in
port 2	Plug-in
execution	Miscellaneous
design	Straight

Technical properties

maximum working pressure at 20 ° C	10 bar
------------------------------------	--------

Product information

VPE1	10,00 SA1
VPE2	120,00 KT1
weight	0,085 KGM
text	?KELOX-PROTEC coupling
INTRNR	74122000
main material group	KELOX
material group	KELOX-PROtec pushfittings
code	KMP410



Art. No	label	d1 mm	d2 mm	L1 mm	L2 mm	z1 mm	z2 mm
73100ED0	25/20	25	20	42,5	36	3,5	3