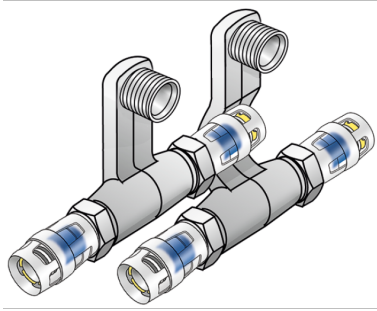


# KELOX

## KMP435 KELOX-PROTEC SL connection set 16x1/2"xST

73155B02

### Areas of application



Skirting board radiator connecting set with PROTEC press-fit adapters; made of non-porous metallised brass, incl. support sleeves with O-rings, withdrawal barriers and a protector ring as an insertion locking device with 1/2" male thread radiator connections

### Approvals:



KE KELIT GmbH

A 4020 Linz, Ignaz-Mayer-Straße 17, Austria, Europe

PHONE +43 (0) 50 779 E-MAIL [office@kekelit.com](mailto:office@kekelit.com)

[www.kekelit.com](http://www.kekelit.com)

# Specifications

## Article information

port 1	Plug-in sleeve
port 2	Plug-in sleeve
execution	Miscellaneous

## Product information

VPE1	1,00 SA1
VPE2	10,00 KT1
weight	0,856 KGM
text	KELOX-PROTEC SL connection set
INTRNR	74122000
main material group	KELOX
material group	KELOX-PROtec pushfittings
code	KMP435



Art. No	label	d5 Inches	d6 Inches	d1 mm	d3 mm	L1 mm	L2 mm	L3 mm	L4 mm	z1 mm	z2 mm	z3 mm	z4 mm	h mm
73155f	16x1/2	1/2" (15)	1/2" (15)	16	16	43	95	95	10	10	55	63	5	95