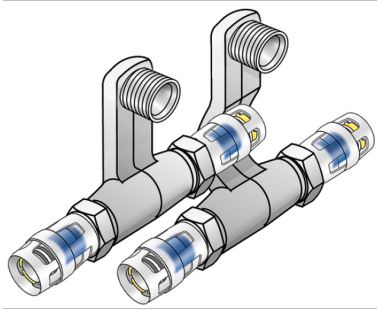


# KELOX

## KMP435 KELOX-PROTEC SL connection set 25x1/2"x25

73155EE2

### Areas of application



Skirting board radiator connecting set with PROTEC press-fit adapters; made of non-porous metallised brass, incl. support sleeves with O-rings, withdrawal barriers and a protector ring as an insertion locking device with 1/2" male thread radiator connections

### Approvals:



KE KELIT GmbH

A 4020 Linz, Ignaz-Mayer-Straße 17, Austria, Europe

PHONE +43 (0) 50 779 E-MAIL [office@kekelit.com](mailto:office@kekelit.com)

[www.kekelit.com](http://www.kekelit.com)

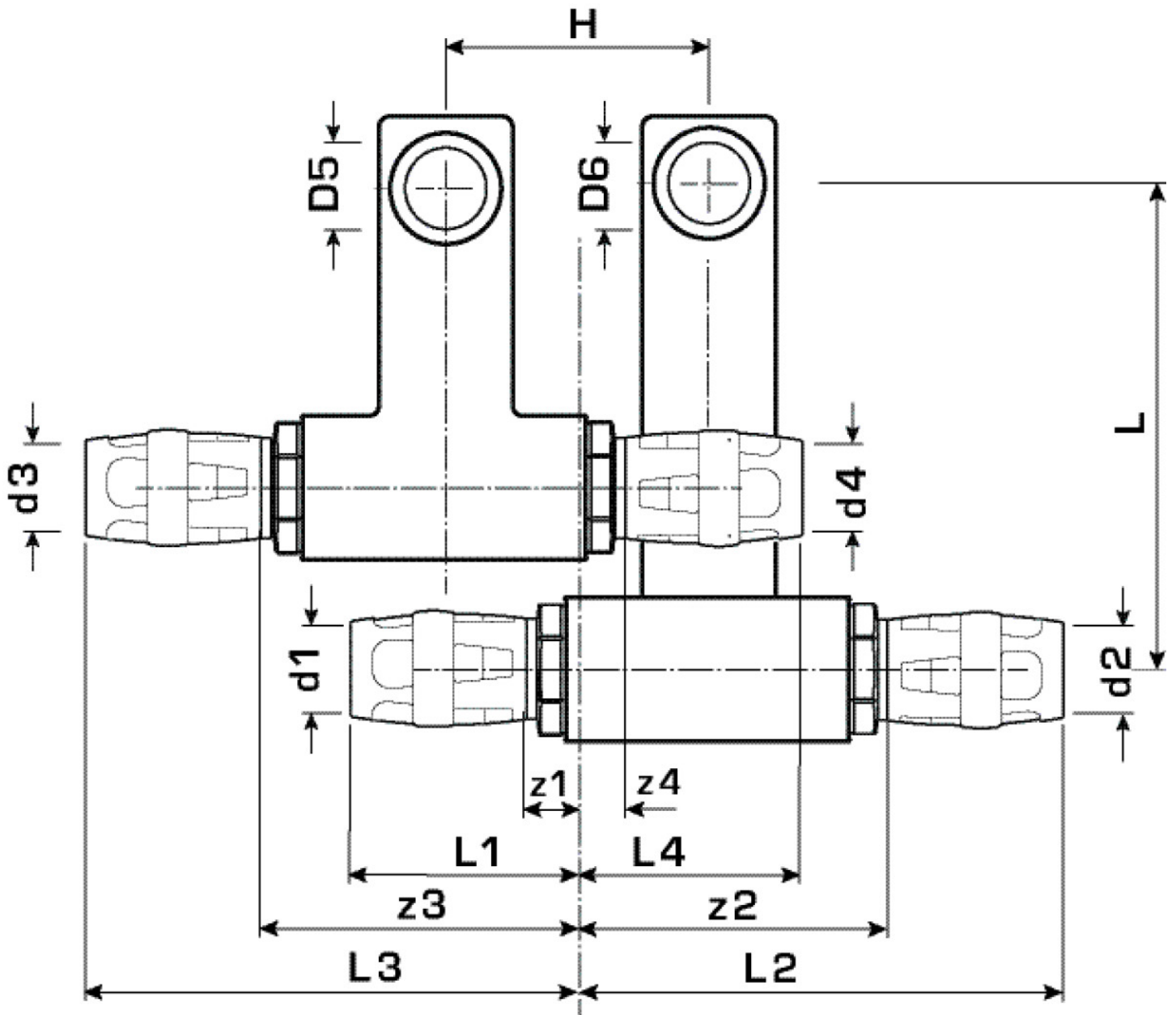
# Specifications

## Article information

port 1	Plug-in sleeve
port 2	Plug-in sleeve
execution	Miscellaneous

## Product information

VPE1	1,00 SA1
VPE2	10,00 KT1
weight	0,945 KGM
text	KELOX-PROTEC SL connection set
INTRNR	74122000
main material group	KELOX
material group	KELOX-PROtec pushfittings
code	KMP435



Art. No	label	d5 Inche	d6 Inche	d1 mm	d2 mm	d3 mm	d4 mm	L1 mm	L2 mm	L3 mm	L4 mm	z1 mm	z2 mm	z3 mm	z4 mm	h mm
7315€	25x1/1	1/2" (15)	1/2" (15)	25	25	25	25	50	105	105	50	10	65	65	10	95