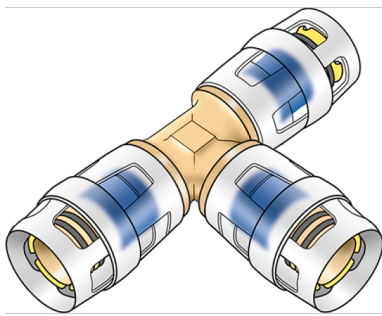


KELOX

KMP440 ?KELOX-PROTEC tee piece 16/20/16

73110BDB

Areas of application



?Plug-in tee equal or reduced, made of dezincification-resistant brass (DZR), incl. support sleeves, O-rings, pull-out barriers and a protector ring as insertion locking device

Approvals:



Specifications

Article information

| | |
|-----------|-----------|
| port 1 | Plug-in |
| port 2 | Plug-in |
| port 3 | Plug-in |
| execution | Tee piece |
| angle | 90 ° |

Technical properties

| | |
|------------------------------------|--------|
| maximum working pressure at 20 ° C | 10 bar |
|------------------------------------|--------|

Product information

| | |
|---------------------|---------------------------|
| VPE1 | 10,00 SA1 |
| VPE2 | 80,00 KT1 |
| weight | 0,131 KGM |
| text | ?KELOX-PROTEC tee piece |
| INTRNR | 74122000 |
| main material group | KELOX |
| material group | KELOX-PROtec pushfittings |
| code | KMP440 |



| Art. No | label | d1 mm | d2 mm | d3 mm | L1 mm | L2 mm | L3 mm | z1 mm | z2 mm | z3 mm |
|----------|----------|-------|-------|-------|-------|-------|-------|-------|-------|-------|
| 73110BDE | 16/20/16 | 16 | 20 | 16 | 48,5 | 48,5 | 48,5 | 15,5 | 15,5 | 15,5 |