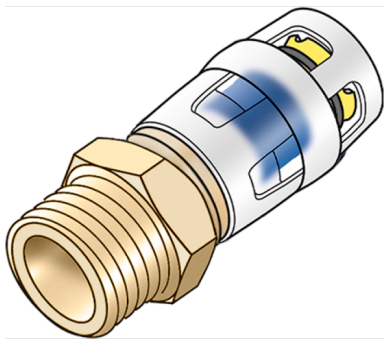


KELOX

KMP450 ?KELOX-PROTEC adapter with male thread 20x3/4"

73202D04

Areas of application



?Plug-in adapter with male thread for sealing, made of dezincification-resistant brass (DZR), incl. support sleeves, O-rings, withdrawal barriers and a protector ring as an insertion locking device

Approvals:



KE KELIT GmbH

A 4020 Linz, Ignaz-Mayer-Straße 17, Austria, Europe

PHONE +43 (0) 50 779 E-MAIL office@kekelit.com

www.kekelit.com

Specifications

Article information

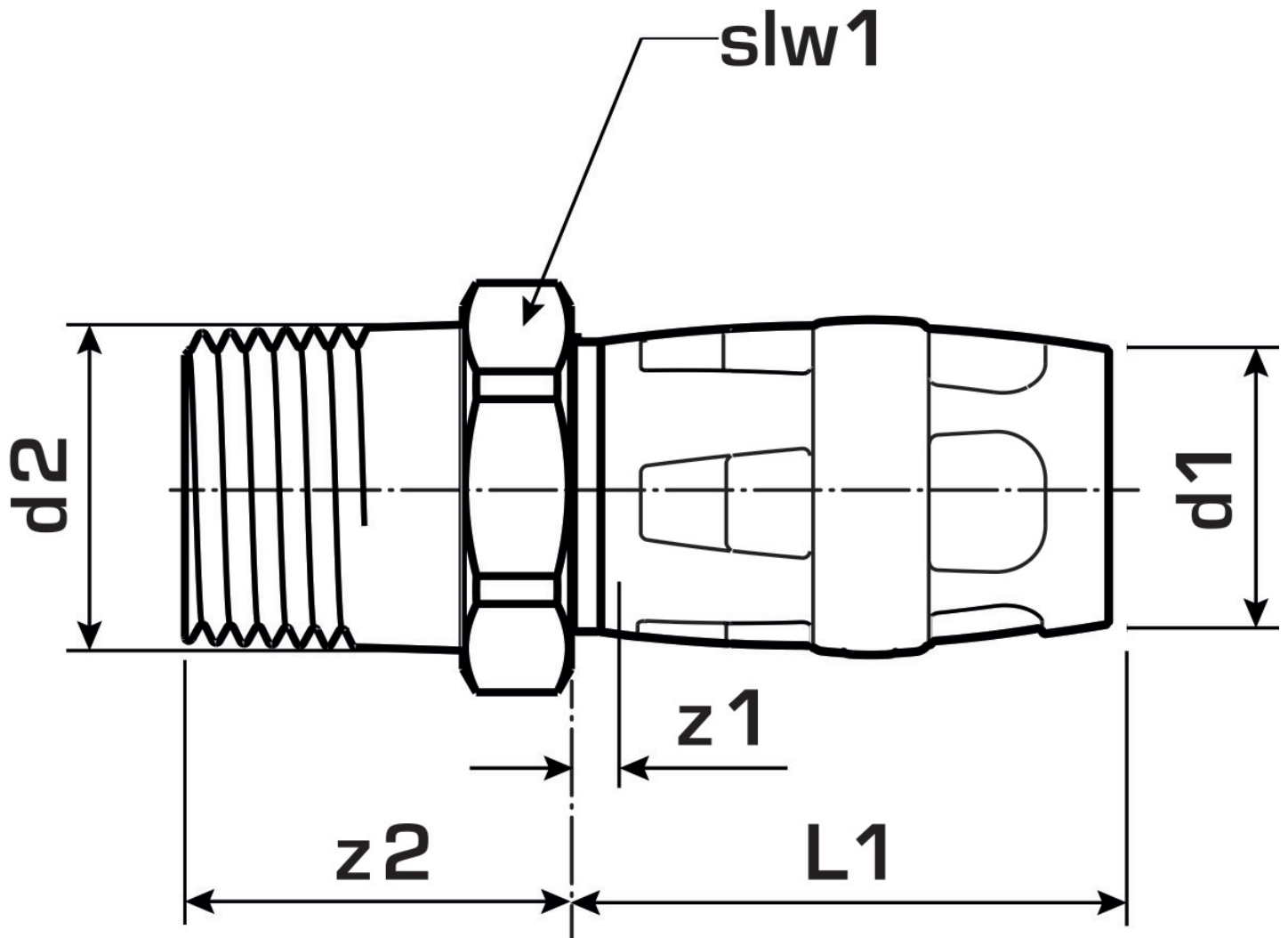
port 1	Plug-in
port 2	Female thread cylindrical BSPT-Rp (ISO 7-1)
execution	Miscellaneous
design	Straight

Technical properties

maximum working pressure at 20 ° C	10 bar
------------------------------------	--------

Product information

VPE1	10,00 SA1
VPE2	130,00 KT1
weight	0,118 KGM
text	?KELOX-PROTEC adapter with male thread
INTRNR	74122000
main material group	KELOX
material group	KELOX-PROtec pushfittings
code	KMP450



Art. No	label	d2	d1 mm	L1 mm	z1 mm	z2 mm	slw1 mm
73202D04	20x3/4"	3/4" (20)	20	33	3	33	30