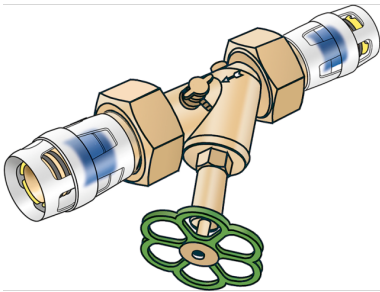


KELOX

KMP452 KELOX-PROTEC slanted-seat valve 20-DN15

73233DD0

Areas of application



Slanted-seat valve with PROTEC plug-in threaded unions KMP455 top part free of dead space, flat-sealing incl. seal and drain outlet

Approvals:



KE KELIT GmbH

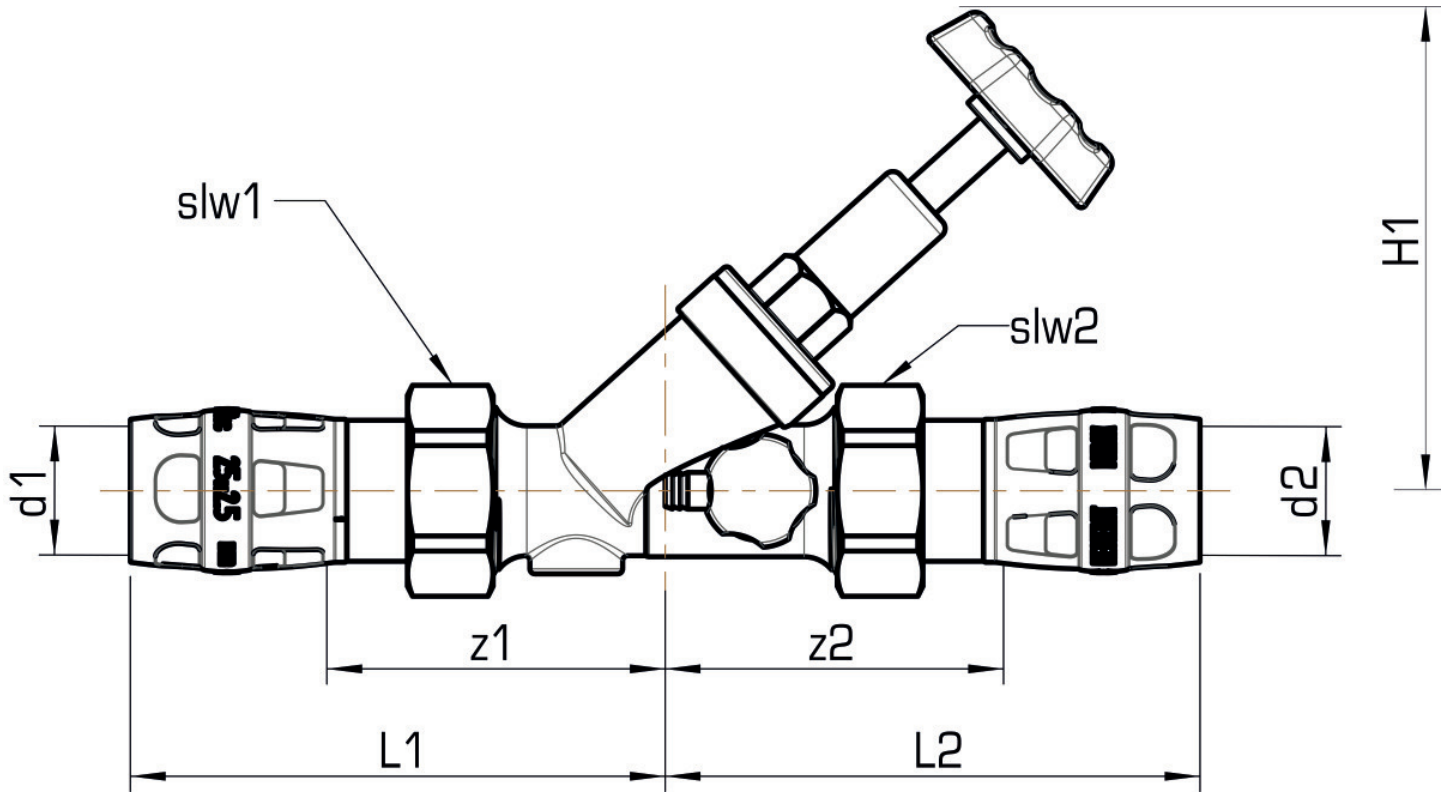
A 4020 Linz, Ignaz-Mayer-Straße 17, Austria, Europe

PHONE +43 (0) 50 779 E-MAIL office@kekelit.com

www.kekelit.com

Specifications

Product information	
VPE1	1,00 SA1
VPE2	10,00 KT1
weight	0,616 KGM
text	?KELOX-PROTEC slanted-seat valve
INTRNR	74122000
main material group	KELOX
material group	KELOX-PROtec pushfittings
code	KMP452



Art. No	label	L1 mm	L2 mm	z1 mm	z2 mm	slw1	slw2
73233DD0	20-DN15	93	93	60	60	30	30