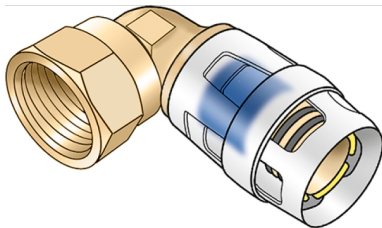


KELOX

KMP467 KELOX-PROTEC elbow adapter 90° female 16x1/2"

73216B02

Areas of application



Plug-in elbow adapter with female thread, made of dezincification-resistant brass (DZR); support sleeves, O-rings, withdrawal barriers and protector ring as insertion locking device
DO NOT screw in any threaded pipes and cast iron fittings!

Approvals:



KE KELIT GmbH

A 4020 Linz, Ignaz-Mayer-Straße 17, Austria, Europe

PHONE +43 (0) 50 779 E-MAIL office@kekelit.com

www.kekelit.com

Specifications

Article information

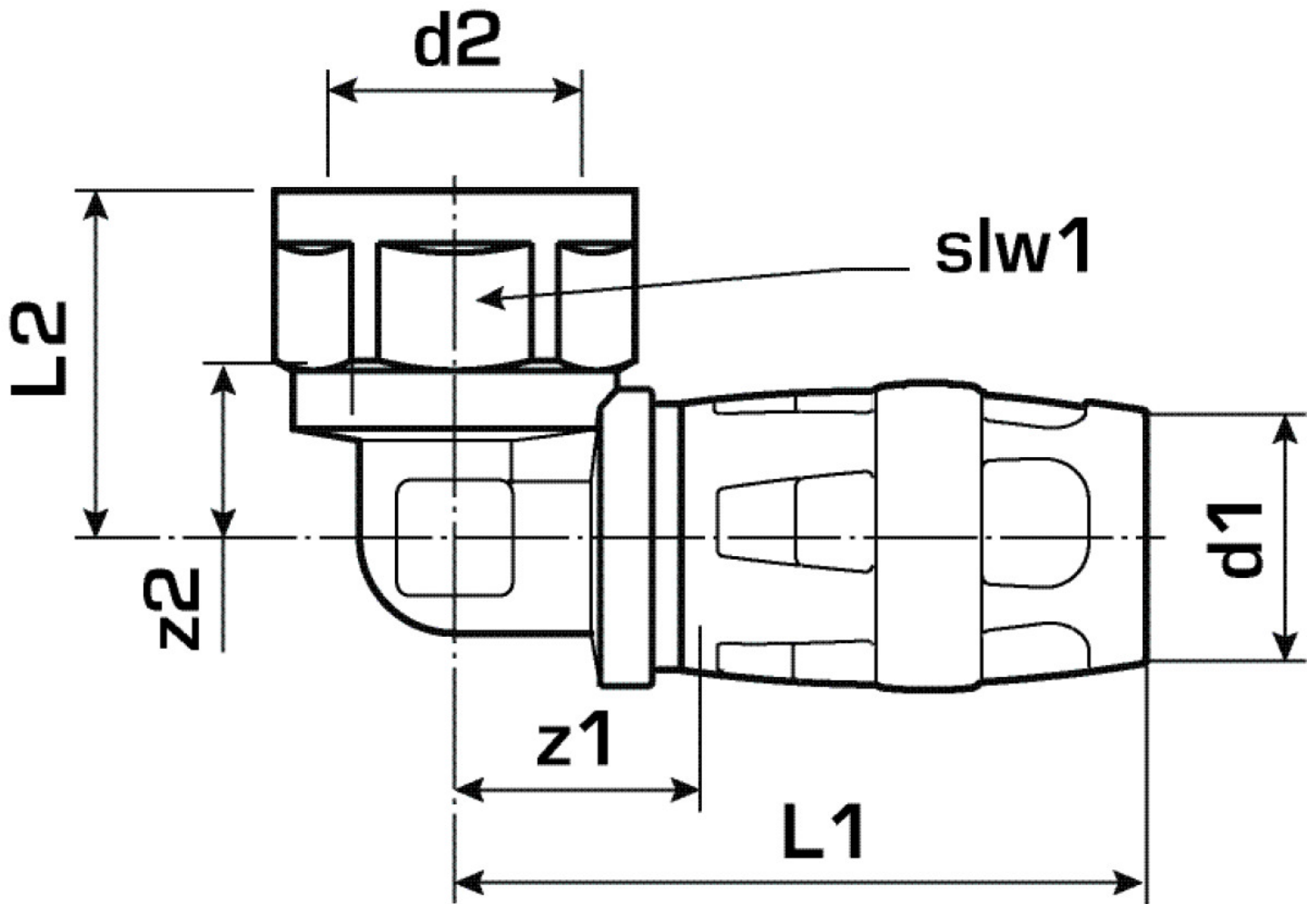
port 1	Plug-in
port 2	Female thread cylindrical BSPT-Rp (ISO 7-1)
design	Knee
angle	90 °

Technical properties

maximum working pressure at 20 ° C	10 bar
------------------------------------	--------

Product information

VPE1	10,00 SA1
VPE2	140,00 KT1
weight	0,097 KGM
text	KELOX-PROTEC elbow adapter 90° female
INTRNR	74122000
main material group	KELOX
material group	KELOX-PROtec pushfittings
code	KMP467



Art. No	label	d1 mm	L1 mm	L2 mm	z1 mm	z2 mm	slw1 mm
73216B02	16x1/2"	16	50,5	29	17,5	17	24