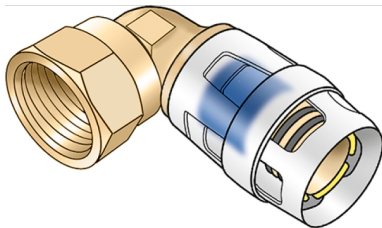


# KELOX

## KMP467 KELOX-PROTEC elbow adapter 90° female 20x3/4"

73216D04

### Areas of application



Plug-in elbow adapter with female thread, made of dezincification-resistant brass (DZR); support sleeves, O-rings, withdrawal barriers and protector ring as insertion locking device  
DO NOT screw in any threaded pipes and cast iron fittings!

### Approvals:



KE KELIT GmbH

A 4020 Linz, Ignaz-Mayer-Straße 17, Austria, Europe

PHONE +43 (0) 50 779 E-MAIL [office@kekelit.com](mailto:office@kekelit.com)

[www.kekelit.com](http://www.kekelit.com)

# Specifications

## Article information

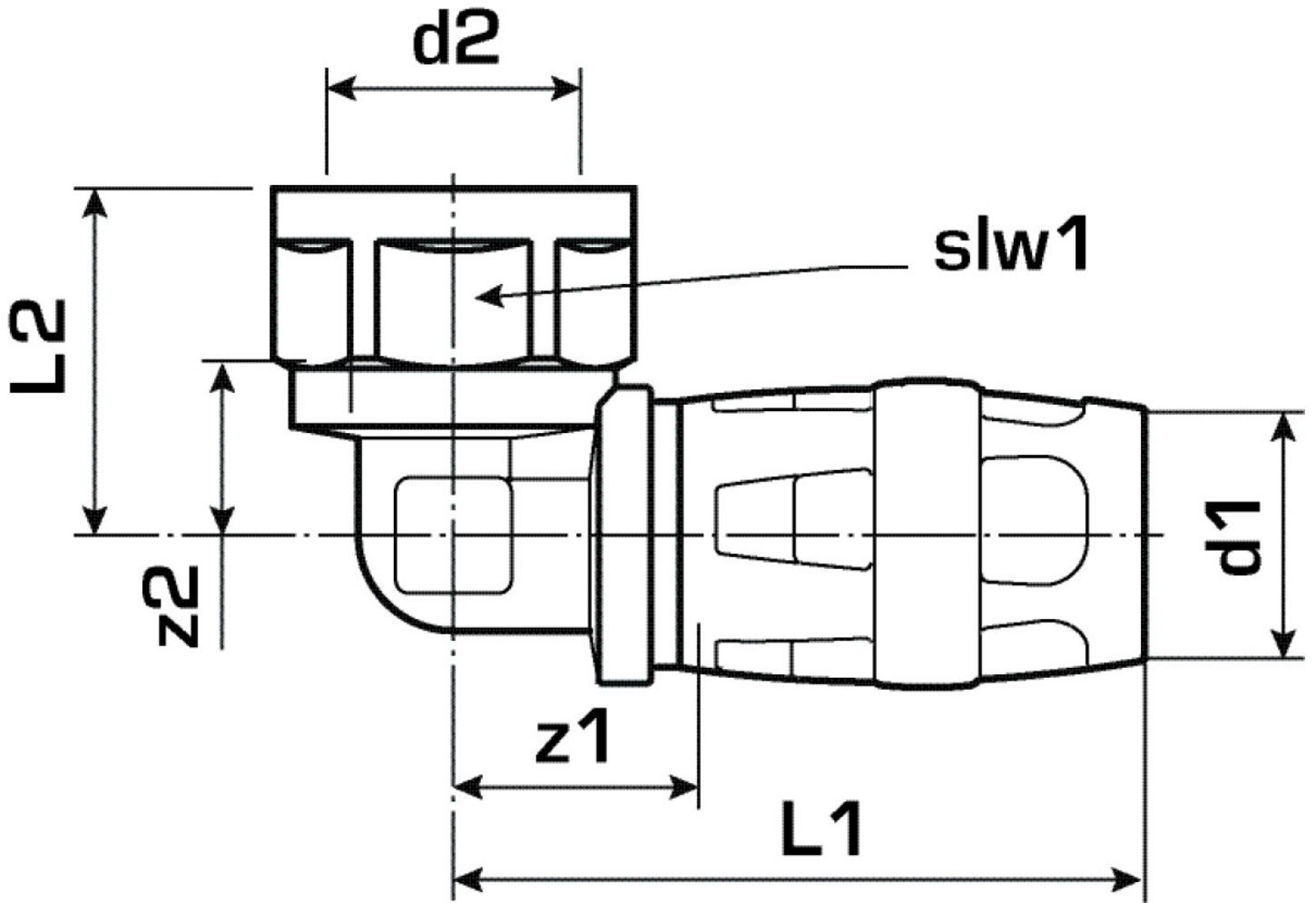
|        |   |
|--------|---|
| port 1 | Plug-in                                     |
| port 2 | Female thread cylindrical BSPT-Rp (ISO 7-1) |
| design | Knee  |
| angle  | 90 °  |

## Technical properties

|                                    |        |
|------------------------------------|--------|
| maximum working pressure at 20 ° C | 10 bar |
|------------------------------------|--------|

## Product information

|                     |                                       |
|---------------------|---------------------------------------|
| VPE1                | 10,00 SA1                             |
| VPE2                | 100,00 KT1                            |
| weight              | 0,133 KGM                             |
| text                | KELOX-PROTEC elbow adapter 90° female |
| INTRNR              | 74122000                              |
| main material group | KELOX                                 |
| material group      | KELOX-PROtec pushfittings             |
| code                | KMP467                                |



| Art. No  | label   | d1 mm | L1 mm | L2 mm | z1 mm | z2 mm | slw1 mm |
|----------|---------|-------|-------|-------|-------|-------|---------|
| 73216D04 | 20x3/4" | 20    | 54    | 34,5  | 21    | 17    | 30      |