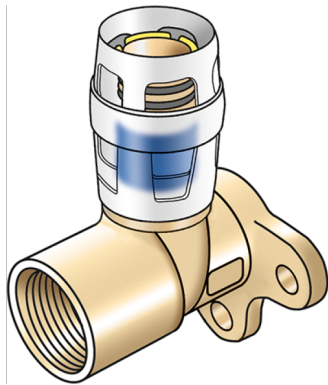


KELOX

KMP480Z KELOX-PROTEC zeta wall bracket fitting with female thread 16x1/2"

73252B02

Areas of application



Zeta value-optimised plug-in wall bracket fitting with female thread, made of non-porous dezincification-resistant brass (DZR), incl. support sleeves, O-rings, withdrawal barriers and a protector ring as an insertion locking device

Overall height: 1/2" - 46 mm

DO NOT screw in threaded pipes and cast iron fittings!

Approvals:



Specifications

Article information

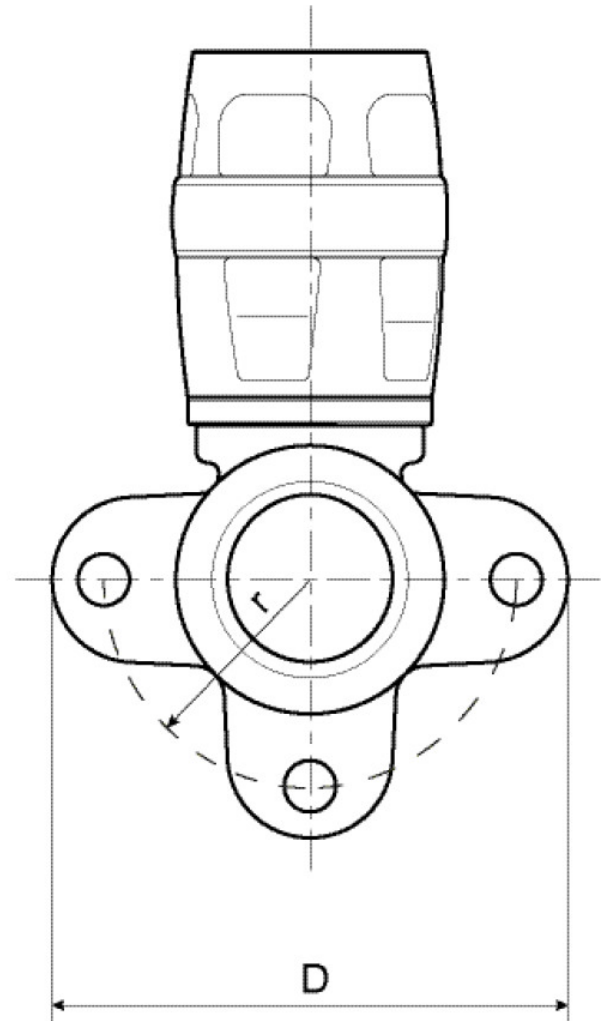
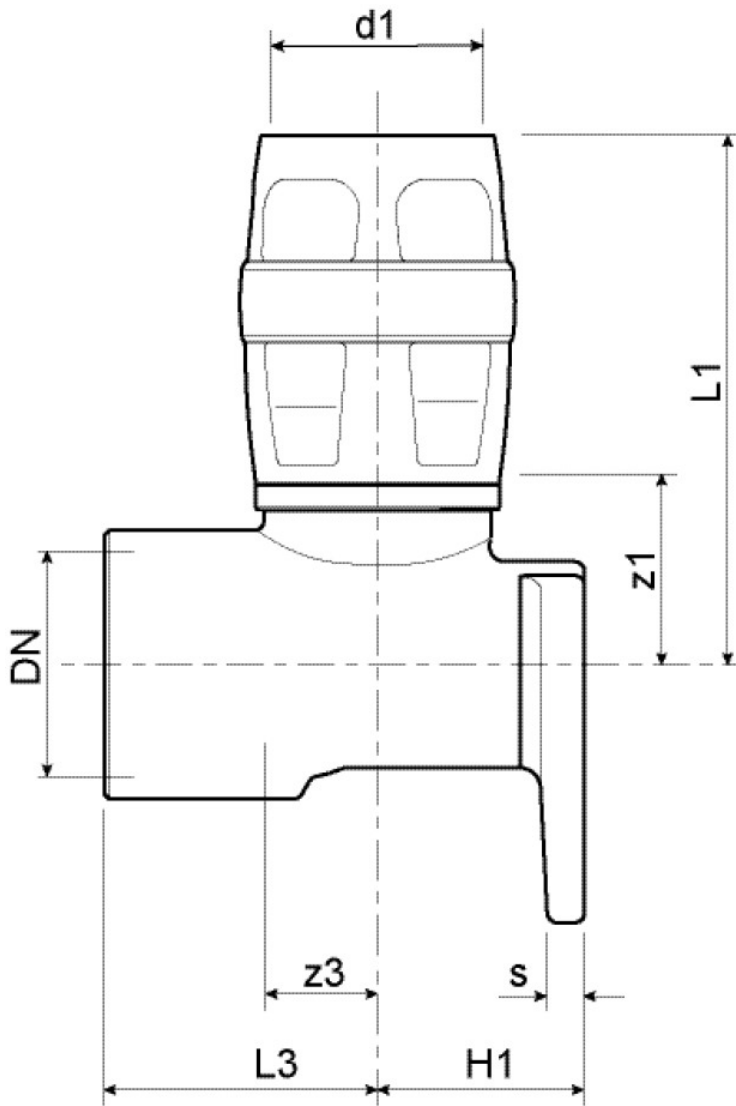
port 1	Plug-in
design	Continuously right-angled

Technical properties

maximum working pressure at 20 ° C	10 bar
------------------------------------	--------

Product information

VPE1	10,00 SA1
VPE2	80,00 KT1
weight	0,137 KGM
text	KELOX-PROTEC zeta wall bracket fitting with female thread
INTRNR	74122000
main material group	KELOX
material group	KELOX-PROtec pushfittings
code	KMP480Z



Art. No	label	d1 mm	L1 mm	L3 mm	z1 mm	z3 mm
73252B02	16x1/2"	16	26	51	11	18