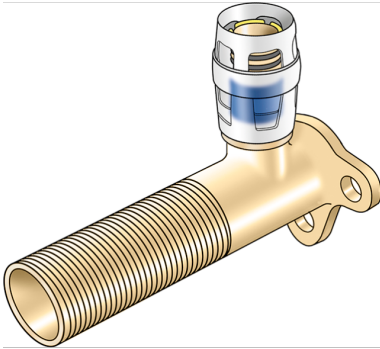


KELOX

KMP481 KELOX-PROTEC wall bracket fitting 90° with 50mm male thread 20x1/2"x50

73256D02

Areas of application



Plug-in wall bracket fitting with 50 mm male thread, made of dezincification-resistant brass (DZR), incl. support sleeves, O-rings, withdrawal barriers and protector rings as insertion locking device
Overall height: 1/2" - 85mm

Approvals:



KE KELIT GmbH

A 4020 Linz, Ignaz-Mayer-Straße 17, Austria, Europe

PHONE +43 (0) 50 779 E-MAIL office@kekelit.com

www.kekelit.com

Specifications

Technical properties

maximum working pressure at 20 ° C 10 bar

Product information

VPE1 10,00 SA1

VPE2 60,00 KT1

weight 0,196 KGM

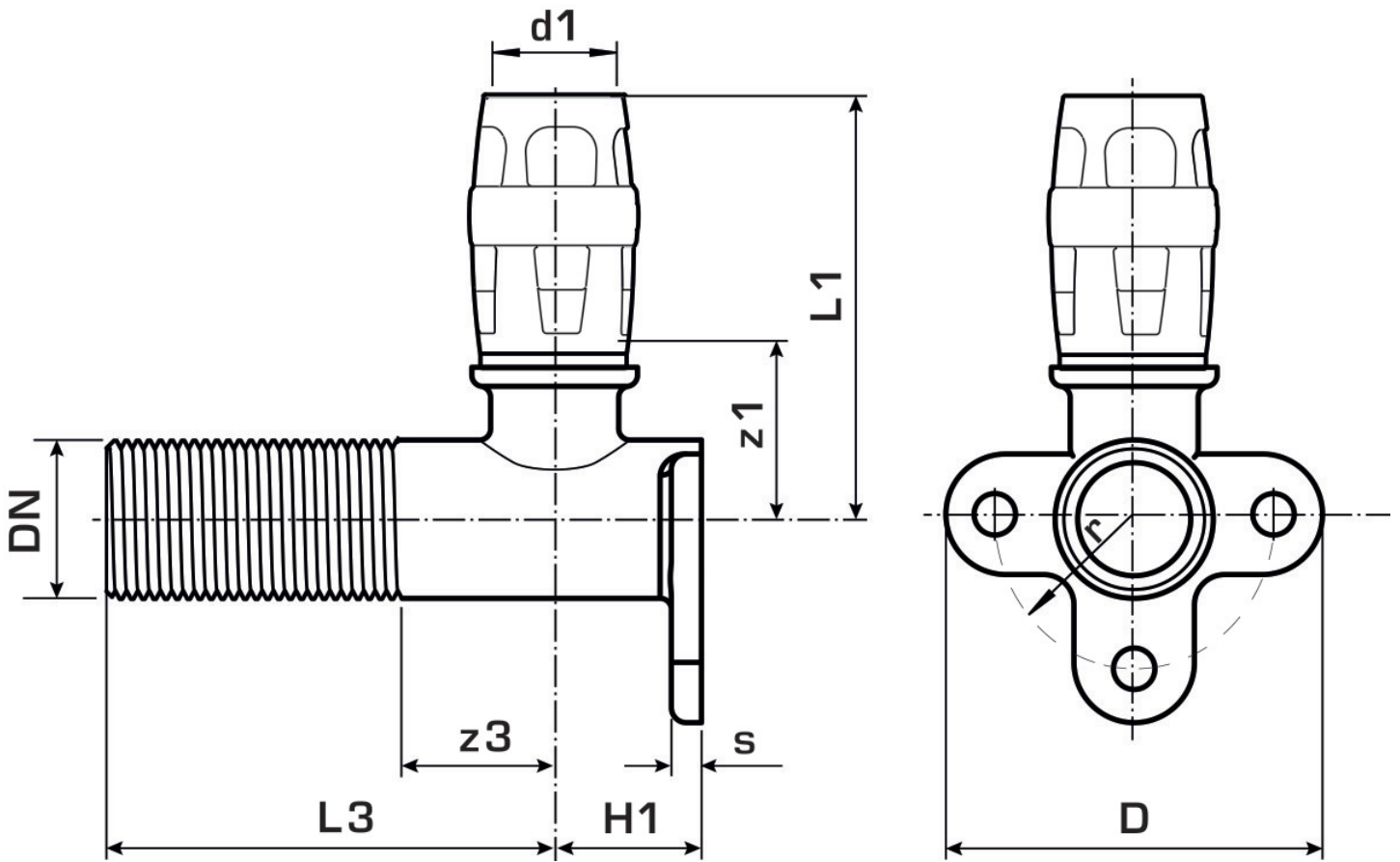
text KELOX-PROTEC wall bracket fitting 90° with 50mm male thread

INTRNR 74122000

main material group KELOX

material group KELOX-PROtec pushfittings

code KMP481



Art. No	label	d1 mm	d1 mm	L1 mm	L3 mm	z1 mm	z3 mm
73256D02	20x1/2"x50	20	20	60	60	27	10