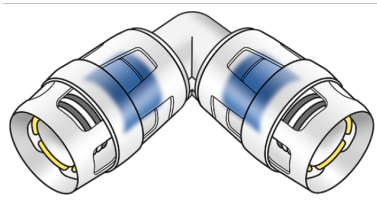


# KELOX

## KWP420 ?KELOX-PROTEC PPSU elbow 90° 25

73603EE0

### Areas of application



?Push-in elbow 90° for changing direction with a minimal radius, made of PPSU, incl. support sleeves, O-rings, pull-out barriers and a protector ring as an insertion locking device

### Approvals:



# Specifications

## Article information

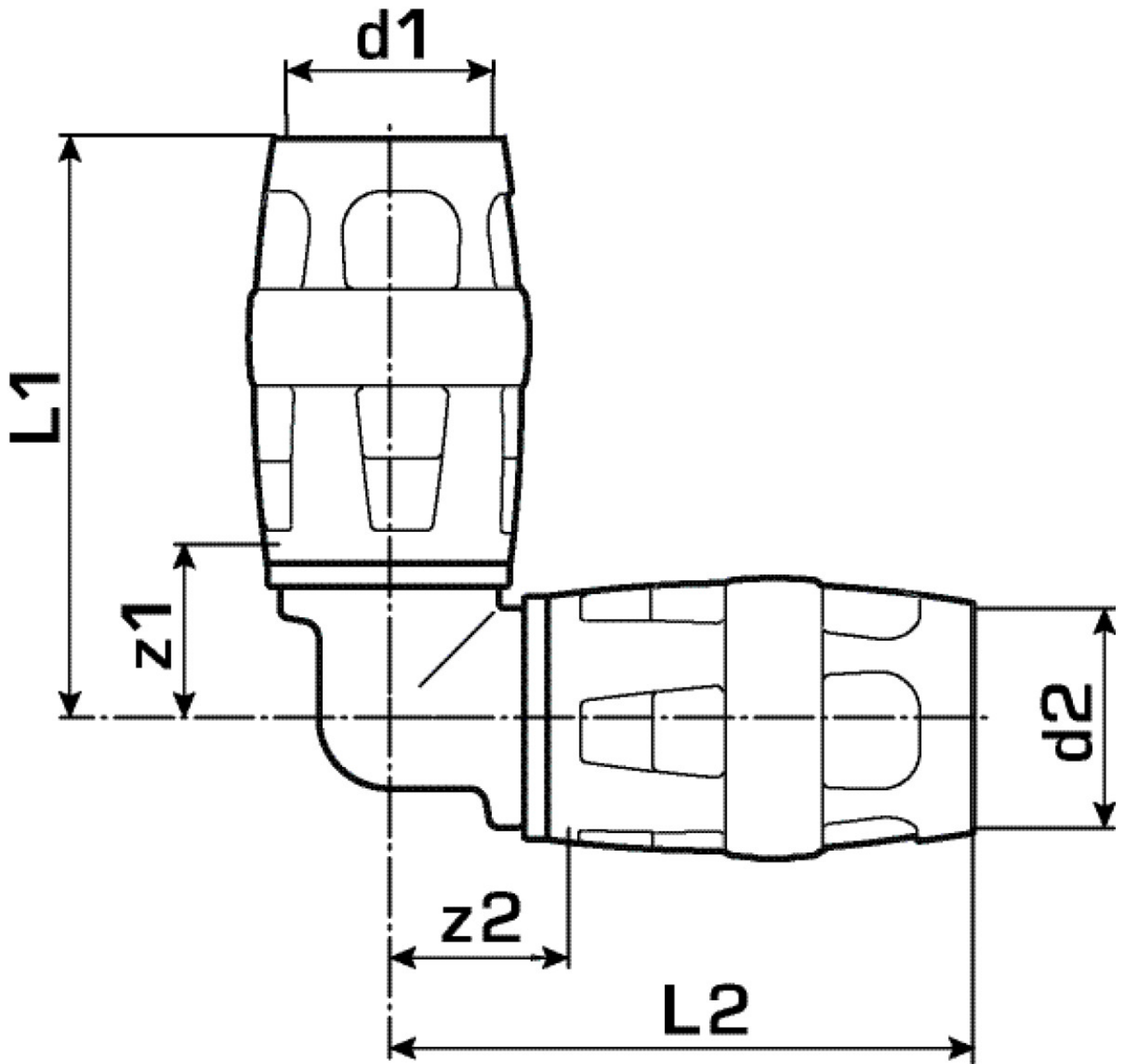
|           |               |
|-----------|---------------|
| port 1    | Plug-in       |
| port 2    | Plug-in       |
| execution | Miscellaneous |
| design    | Knee          |
| angle     | 90 °          |

## Technical properties

|                                    |        |
|------------------------------------|--------|
| maximum working pressure at 20 ° C | 10 bar |
|------------------------------------|--------|

## Product information

|                     |                                |
|---------------------|--------------------------------|
| VPE1                | 10,00 SA1                      |
| VPE2                | 70,00 KT1                      |
| weight              | 0,047 KGM                      |
| text                | ?KELOX-PROTEC PPSU elbow 90°   |
| INTRNR              | 39174000                       |
| main material group | KELOX                          |
| material group      | KELOX-PROtec-PPSU pushfittings |
| code                | KWP420                         |



| Art. No  | label | d1 mm | d2 mm | L1 mm | L2 mm | z1 mm | z2 mm |
|----------|-------|-------|-------|-------|-------|-------|-------|
| 73603EE0 | 25    | 25    | 25    | 58    | 58    | 20,5  | 20,5  |