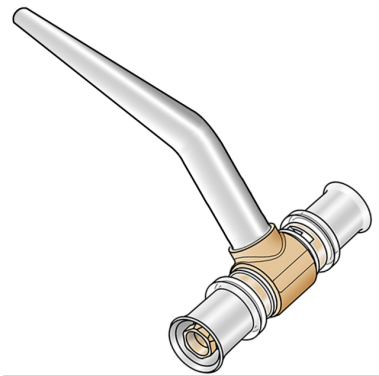


KELOX

KMW432 KELOX-ULTRAX-W radiator tee connector 16x16/330

71353BB2

Areas of application



Radiator connecting pipe made of semi-rigid nickel-plated d15mm copper with zeta value-optimised press-fit adapter tee made from dezincification resistant brass (DZR), incl. support sleeves with O-rings and stainless steel press-fit sleeves; "leak before pressed", audible leakage signal at air-pressure testing

ATTENTION: Follow the installation instructions of the screw fitting manufacturer and if necessary use support sleeves for copper connections!

Approvals:



Specifications

Article information

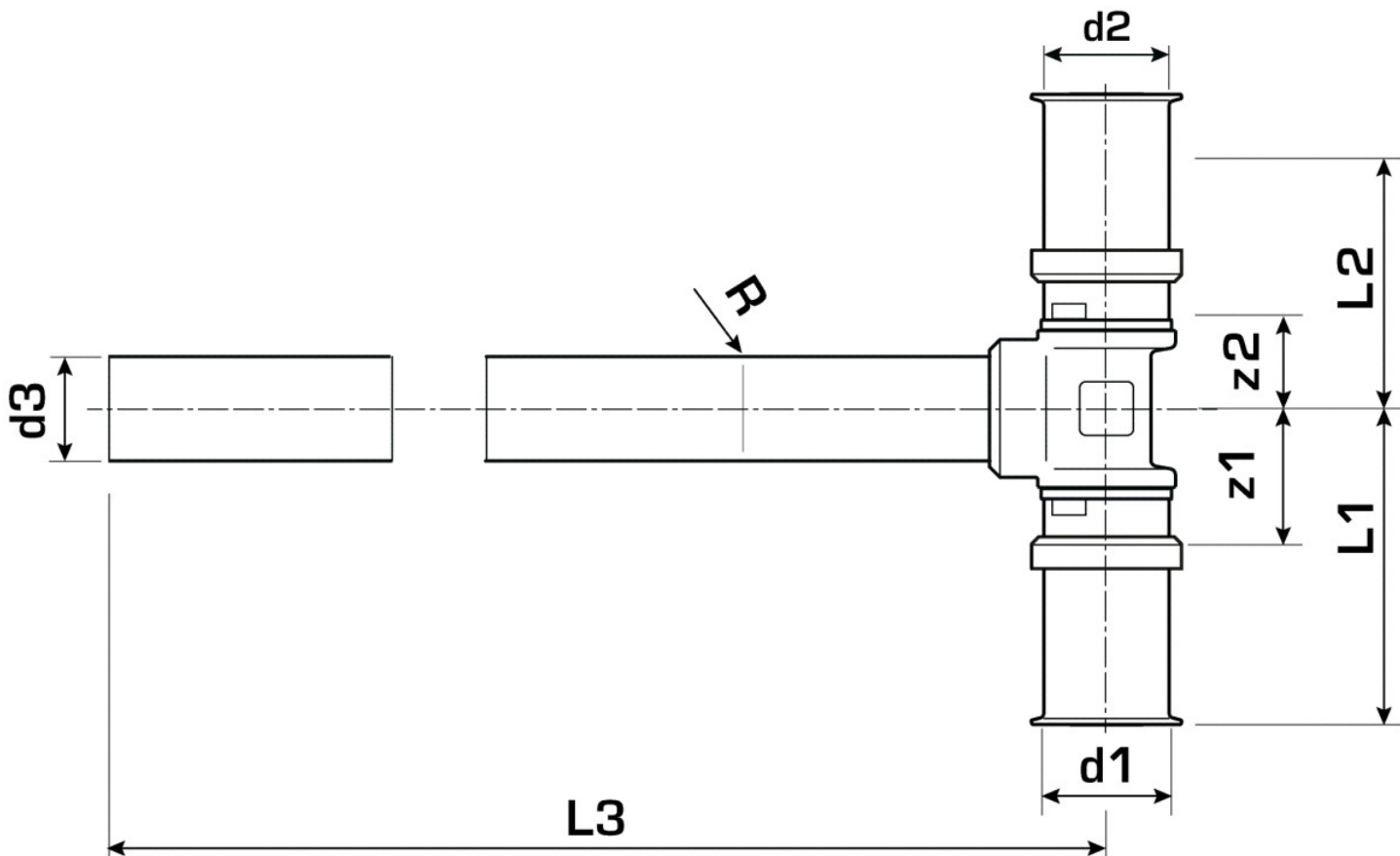
port 1	Pressmuffe
port 2	Zapfen/Rohrende
port 3	Pressmuffe
execution	T-Stück
press contour	U

Technical properties

maximum working pressure at 20 ° C	16 bar
------------------------------------	--------

Product information

VPE1	1,00 KT1
VPE2	10,00 KT2
VPE3	600,00 PAL
weight	0,178 KGM
text	KELOX-ULTRAX-W radiator tee connector
INTRNR	74122000
main material group	KELOX
code	KMW432



Art. No	label	d1 mm	d2 mm	d3 mm	L1 mm	L2 mm	L3 mm	z1 mm	z2 mm
71353BB2	16x16/330	16	16	15	44	44	300	18	18