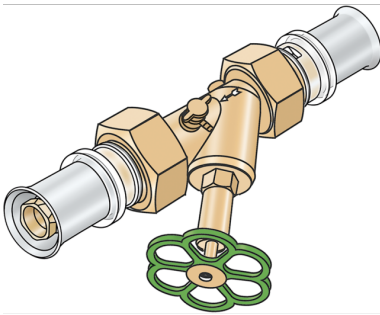


KELOX

KMW452 KELOX-ULTRAX-W slanted-seat valve 20-DN15

71433DD0

Areas of application



Slanted-seat valve with zeta value-optimised press-fit unions KMW455, top part free of dead space, flat-sealing incl. seal and drain outlet, "leak before pressed", audible leakage signal at air-pressure testing

Approvals:



KE KELIT GmbH

A 4020 Linz, Ignaz-Mayer-Straße 17, Austria, Europe

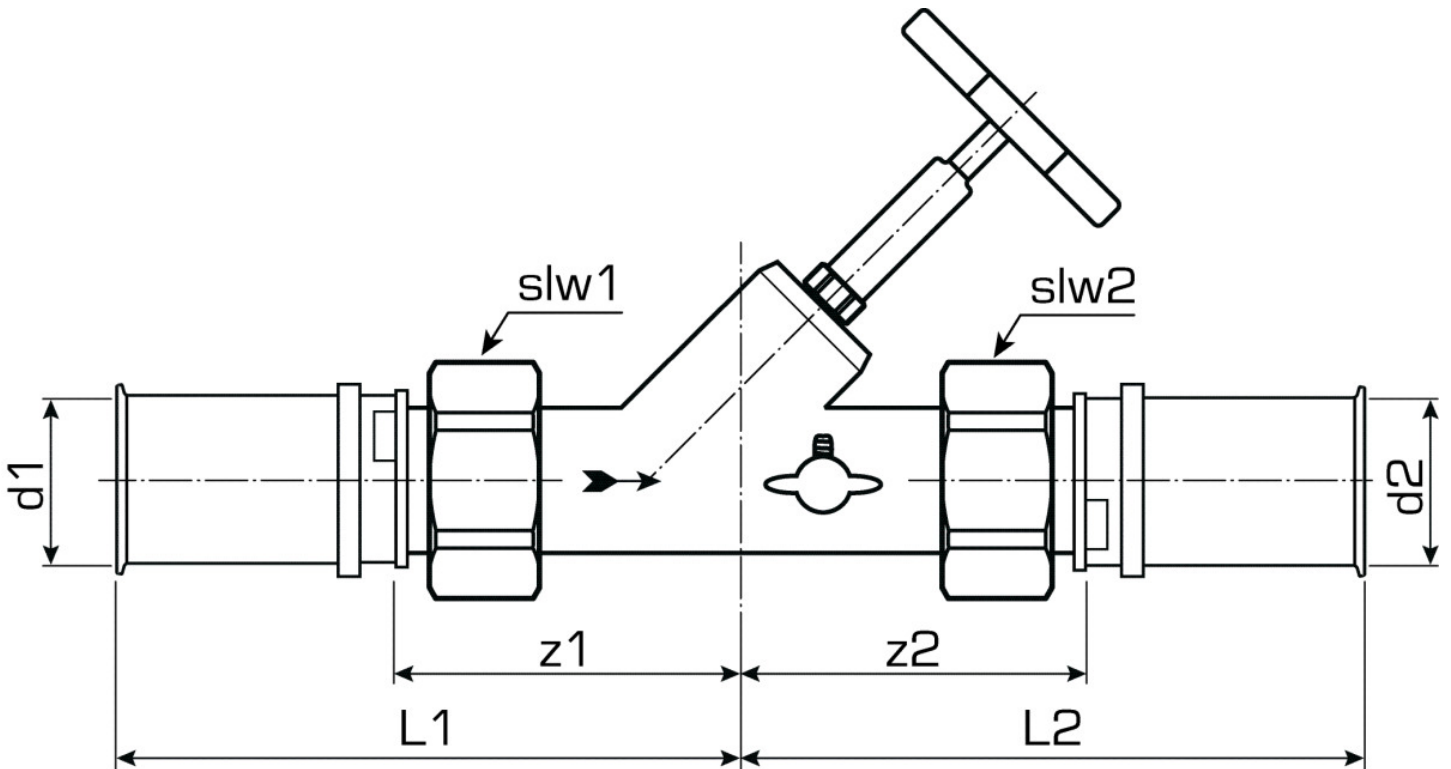
PHONE +43 (0) 50 779 E-MAIL office@kekelit.com

www.kekelit.com

Specifications

Product information

| | |
|---------------------|-----------------------------------|
| VPE1 | 1,00 KT1 |
| weight | 0,628 KGM |
| text | KELOX-ULTRAX-W slanted-seat valve |
| INTRNR | 74122000 |
| main material group | KELOX |
| code | KMW452 |



| Art. No | label | L1 mm | L2 mm | z1 mm | z2 mm | slw1 mm | slw2 mm |
|----------|---------|-------|-------|-------|-------|---------|---------|
| 71433DD0 | 20-DN15 | 83 | 83 | 56,5 | 56,5 | 30 | 30 |



KE KELIT GmbH

A 4020 Linz, Ignaz-Mayer-Straße 17, Austria, Europe

PHONE +43 (0) 50 779 **E-MAIL** office@kekelit.com

www.kekelit.com