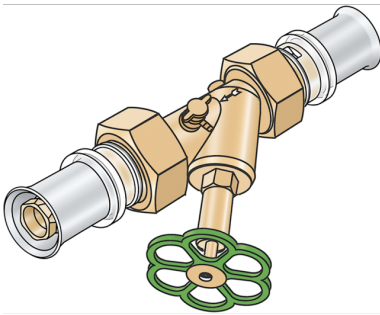


# KELOX

## KMW452 KELOX-ULTRAX-W slanted-seat valve 25-DN20

71433EE0

### Areas of application



Slanted-seat valve with zeta value-optimised press-fit unions KMW455, top part free of dead space, flat-sealing incl. seal and drain outlet, "leak before pressed", audible leakage signal at air-pressure testing

### Approvals:



KE KELIT GmbH

A 4020 Linz, Ignaz-Mayer-Straße 17, Austria, Europe

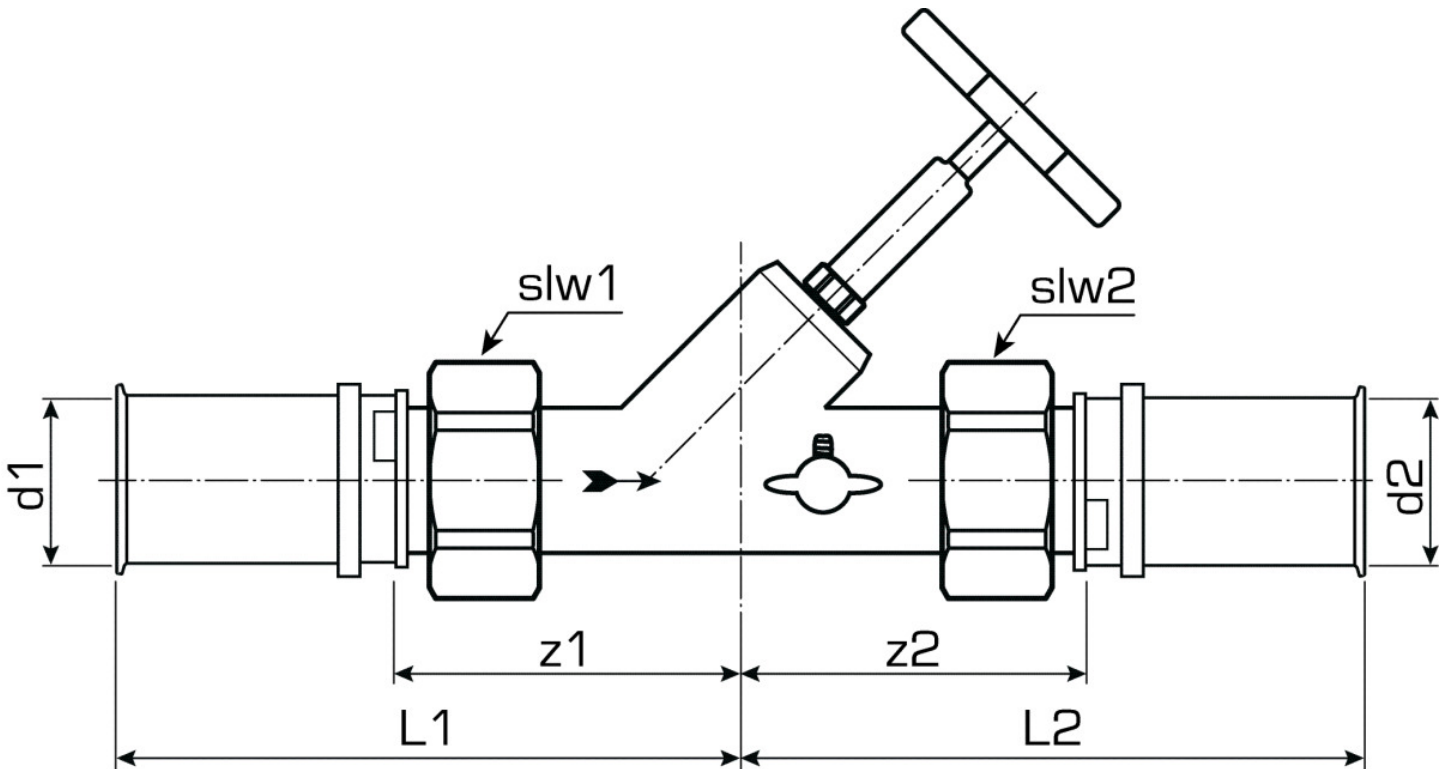
PHONE +43 (0) 50 779 E-MAIL [office@kekelit.com](mailto:office@kekelit.com)

[www.kekelit.com](http://www.kekelit.com)

# Specifications

## Product information

|                     |                                   |
|---------------------|-----------------------------------|
| VPE1                | 1,00 KT1                          |
| weight              | 1,059 KGM                         |
| text                | KELOX-ULTRAX-W slanted-seat valve |
| INTRNR              | 74122000                          |
| main material group | KELOX                             |
| code                | KMW452                            |



| Art. No  | label   | L1 mm | L2 mm | z1 mm | z2 mm | slw1 mm | slw2 mm |
|----------|---------|-------|-------|-------|-------|---------|---------|
| 71433EE0 | 25-DN20 | 94    | 94    | 61    | 61    | 30      | 30      |



**KE KELIT GmbH**

A 4020 Linz, Ignaz-Mayer-Straße 17, Austria, Europe

**PHONE** +43 (0) 50 779 **E-MAIL** [office@kekelit.com](mailto:office@kekelit.com)

[www.kekelit.com](http://www.kekelit.com)