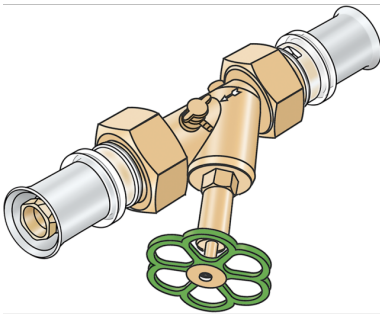


KELOX

KMW452 KELOX-ULTRAX-W slanted-seat valve 40-DN32

71433GG0

Areas of application



Slanted-seat valve with zeta value-optimised press-fit unions KMW455, top part free of dead space, flat-sealing incl. seal and drain outlet, "leak before pressed", audible leakage signal at air-pressure testing

Approvals:



KE KELIT GmbH

A 4020 Linz, Ignaz-Mayer-Straße 17, Austria, Europe

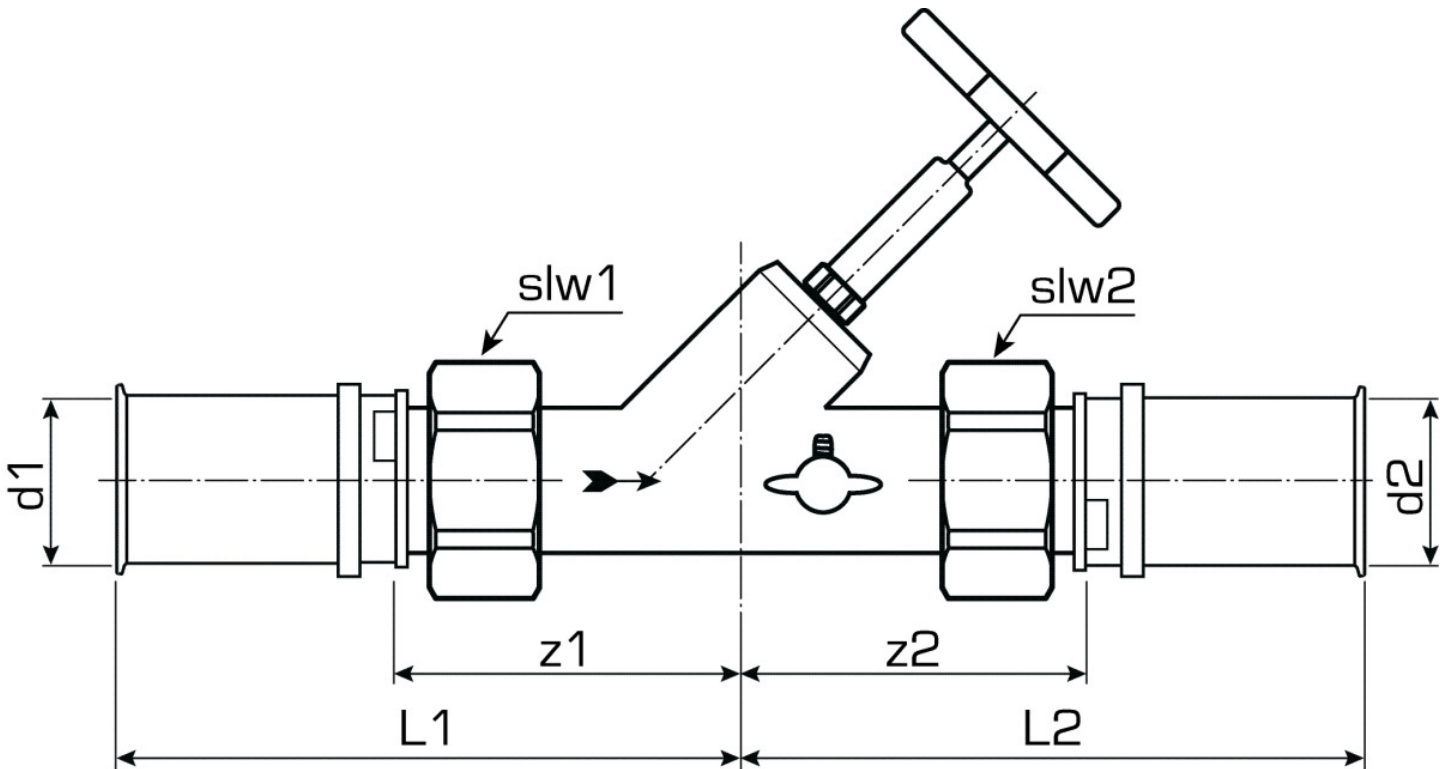
PHONE +43 (0) 50 779 E-MAIL office@kekelit.com

www.kekelit.com

Specifications

Product information

VPE1	1,00 KT1
weight	2,157 KGM
text	KELOX-ULTRAX-W slanted-seat valve
INTRNR	74122000
main material group	KELOX
code	KMW452



Art. No	label	L1 mm	z1 mm	slw1 mm	slw2 mm
71433GG0	40-DN32	113	72	55	55



KE KELIT GmbH

A 4020 Linz, Ignaz-Mayer-Straße 17, Austria, Europe

PHONE +43 (0) 50 779 **E-MAIL** office@kekelit.com

www.kekelit.com