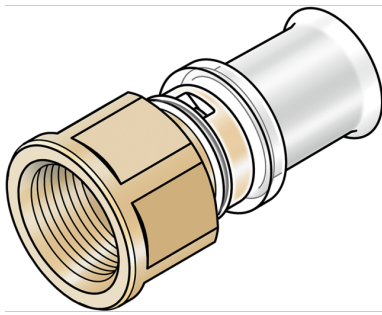


# KELOX

## KMW457 KELOX-ULTRAX-W adapter with female thread 20x1/2"

71406D02

### Areas of application



?Zeta value-optimised press-fit adapter with female thread, made from dezincification-resistant (DZR) brass, including support sleeves with O-rings and stainless steel press-fit sleeves "leak before pressed", audible leakage signal at air-pressure testing  
DO NOT screw in threaded pipes and cast iron fittings!

## Approvals:



# Specifications

## Article information

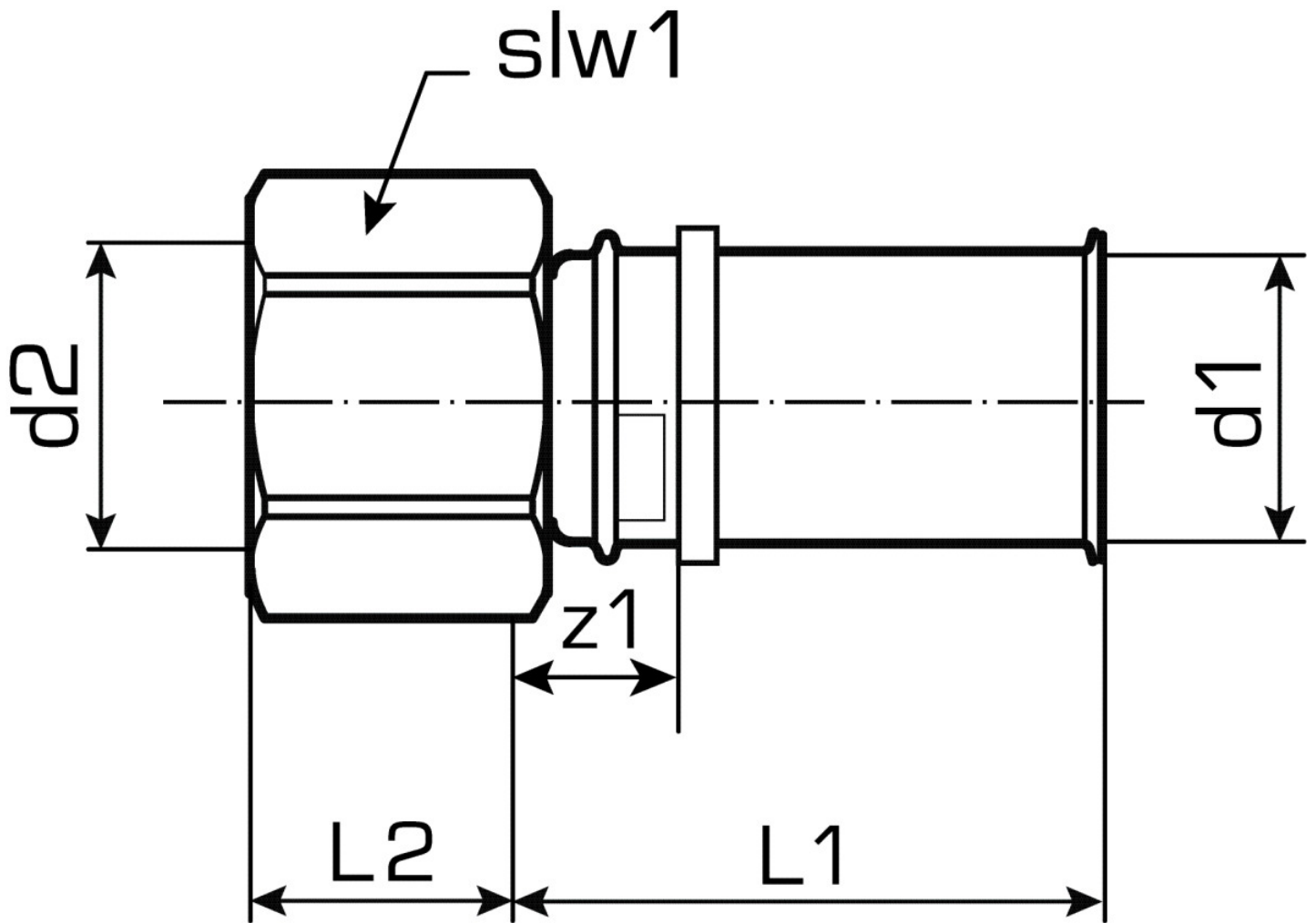
port 1	Pressmuffe
port 2	Innengewinde zylindrisch (BSPP)
design	gerade
press contour	U

## Technical properties

maximum working pressure at 20 ° C	16 bar
------------------------------------	--------

## Product information

VPE1	10,00 SA1
VPE2	80,00 KT1
VPE3	6400,00 PAL
weight	0,078 KGM
text	KELOX-ULTRAX-W adapter with female thread
INTRNR	74122000
main material group	KELOX
code	KMW457



Art. No	label	d2	d1 mm	L1 mm	L2 mm	z1 mm	slw1 mm
71406D02	20x1/2"	1/2" (15)	20	39	14,5	13	27