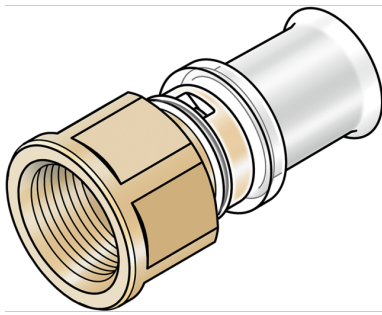


KELOX

KMW457 KELOX-ULTRAX-W adapter with female thread 20x3/4"

71406D04

Areas of application



?Zeta value-optimised press-fit adapter with female thread, made from dezincification-resistant (DZR) brass, including support sleeves with O-rings and stainless steel press-fit sleeves "leak before pressed", audible leakage signal at air-pressure testing
DO NOT screw in threaded pipes and cast iron fittings!

Approvals:



Specifications

Article information

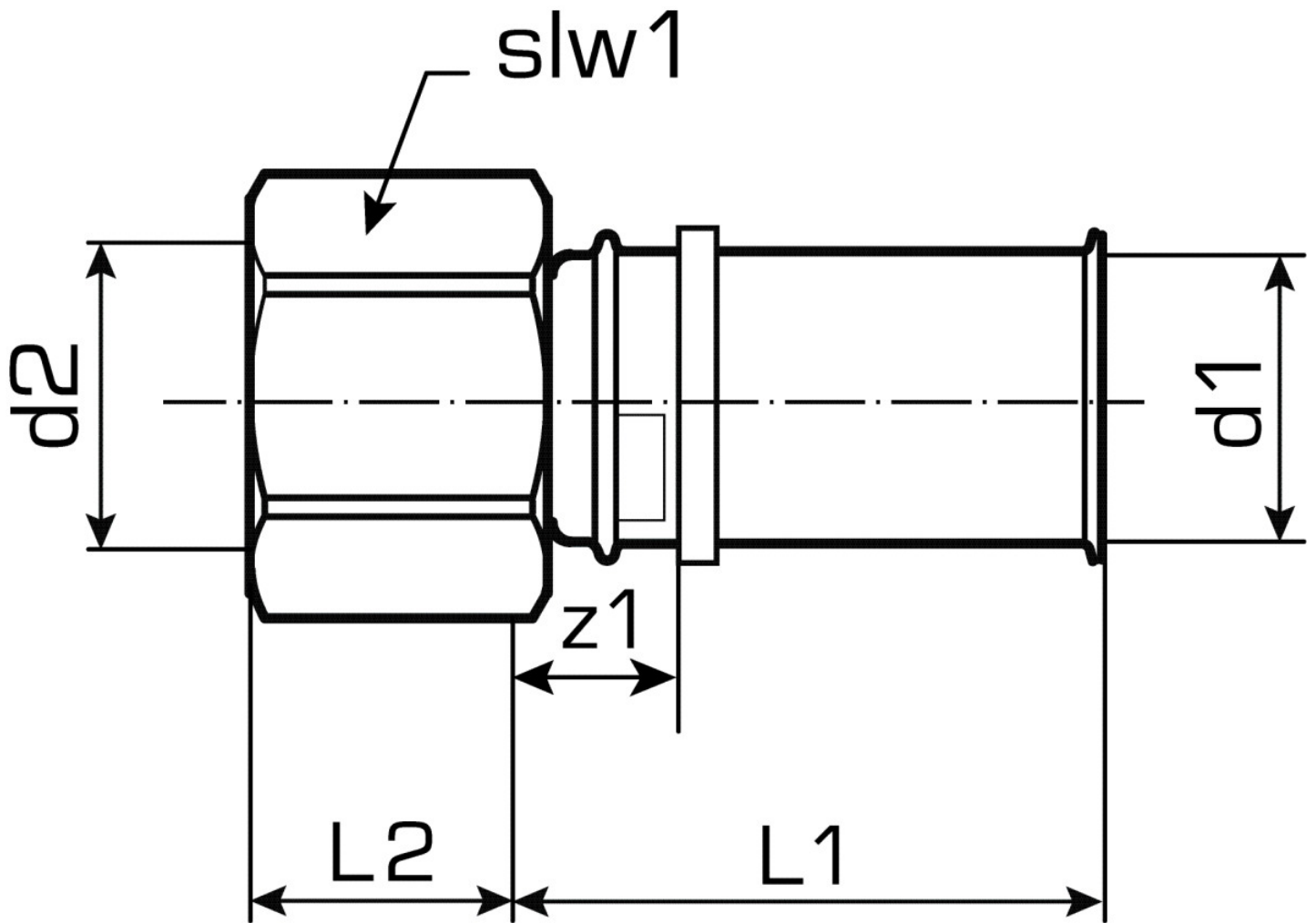
port 1	Pressmuffe
port 2	Innengewinde zylindrisch (BSPP)
design	gerade
press contour	U

Technical properties

maximum working pressure at 20 ° C	16 bar
------------------------------------	--------

Product information

VPE1	10,00 SA1
VPE2	80,00 KT1
VPE3	4600,00 PAL
weight	0,101 KGM
text	KELOX-ULTRAX-W adapter with female thread
INTRNR	74122000
main material group	KELOX
code	KMW457



Art. No	label	d2	d1 mm	L1 mm	L2 mm	z1 mm	slw1 mm
71406D04	20x3/4"	3/4 Zoll (20)	20	39	16	13	34