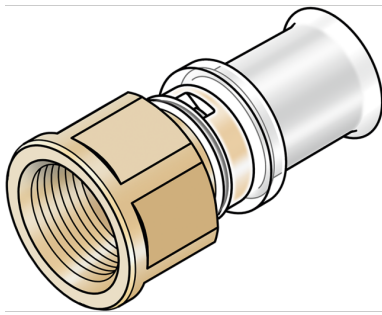


# KELOX

## KMW457 KELOX-ULTRAX-W adapter with female thread 20x1"

71406D05

### Areas of application



?Zeta value-optimised press-fit adapter with female thread, made from dezincification-resistant (DZR) brass, including support sleeves with O-rings and stainless steel press-fit sleeves "leak before pressed", audible leakage signal at air-pressure testing  
DO NOT screw in threaded pipes and cast iron fittings!

## Approvals:



# Specifications

## Article information

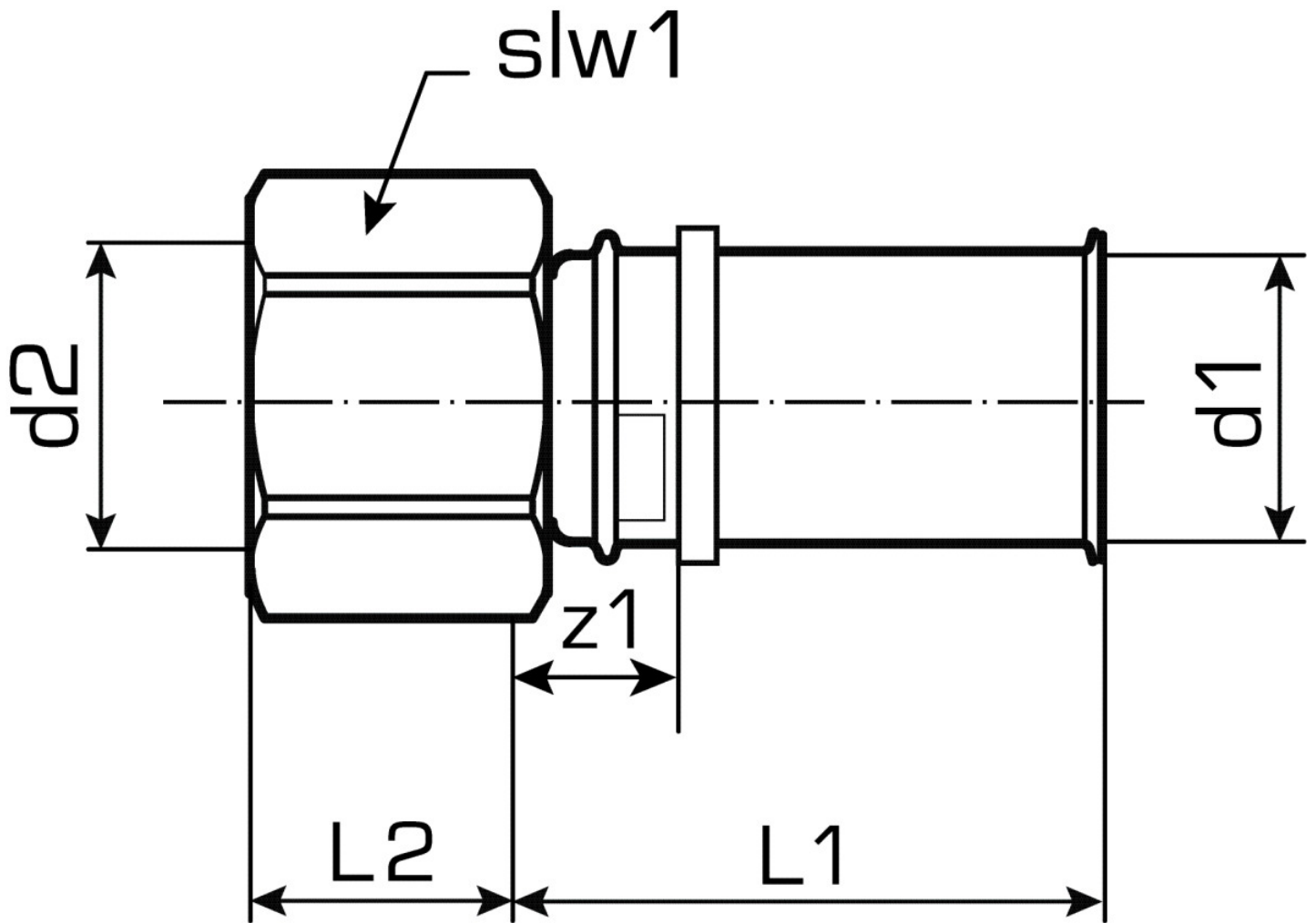
|               |                                 |
|---------------|---------------------------------|
| port 1        | Pressmuffe                      |
| port 2        | Innengewinde zylindrisch (BSPP) |
| design        | gerade                          |
| press contour | U                               |

## Technical properties

|                                    |        |
|------------------------------------|--------|
| maximum working pressure at 20 ° C | 16 bar |
|------------------------------------|--------|

## Product information

|                     |   |
|---------------------|---|
| VPE1                | 10,00 SA1                                 |
| VPE2                | 80,00 KT1                                 |
| VPE3                | 6400,00 PAL                               |
| weight              | 0,100 KGM                                 |
| text                | KELOX-ULTRAX-W adapter with female thread |
| INTRNR              | 74122000                                  |
| main material group | KELOX                                     |
| code                | KMW457                                    |



| Art. No  | label | d2 | d1 mm | L1 mm | L2 mm | z1 mm | slw1 mm |
|----------|-------|----|-------|-------|-------|-------|---------|
| 71406D05 | 20x1" | 1" | 20    | 39    | 19    | 13    | 41      |