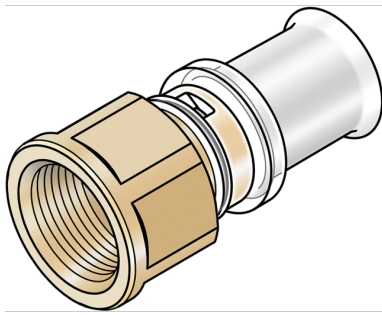


KELOX

KMW457 KELOX-ULTRAX-W adapter with female thread 32x1"

71406F05

Areas of application



?Zeta value-optimised press-fit adapter with female thread, made from dezincification-resistant (DZR) brass, including support sleeves with O-rings and stainless steel press-fit sleeves "leak before pressed", audible leakage signal at air-pressure testing
DO NOT screw in threaded pipes and cast iron fittings!

Approvals:



Specifications

Article information

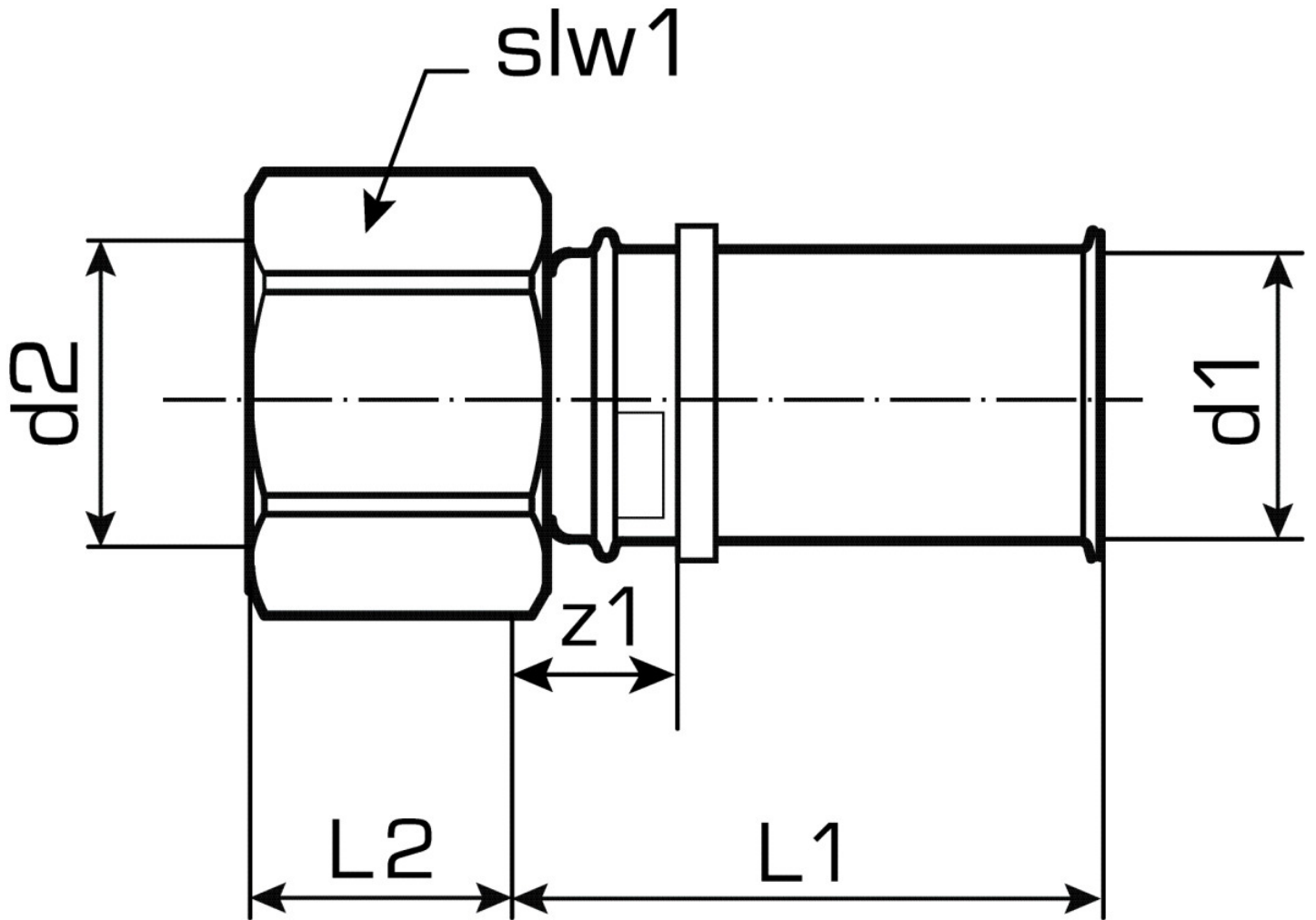
port 1	Pressmuffe
port 2	Innengewinde zylindrisch (BSPP)
design	gerade
press contour	U

Technical properties

maximum working pressure at 20 ° C	16 bar
------------------------------------	--------

Product information

VPE1	5,00 SA1
VPE2	40,00 KT1
VPE3	2400,00 PAL
weight	0,120 KGM
text	KELOX-ULTRAX-W adapter with female thread
INTRNR	74122000
main material group	KELOX
code	KMW457



Art. No	label	d2	d1 mm	L1 mm	L2 mm	z1 mm	slw1 mm
71406F05	32x1"	1"	32	44	19	14	41