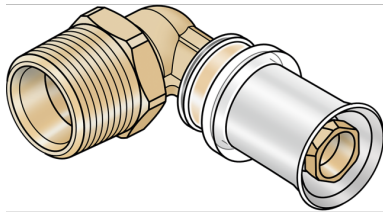


KELOX

KMW460 KELOX-ULTRAX-W adapter elbow 90° with male thread 40x5/4"

71412G06

Areas of application



?Zeta value-optimised press-fit adapter bracket with male thread for sealing, made from dezincification-resistant (DZR) brass, including support sleeves with O-rings and stainless steel press-fit sleeves "leak before pressed", audible leakage signal at air-pressure testing

Approvals:



KE KELIT GmbH

A 4020 Linz, Ignaz-Mayer-Straße 17, Austria, Europe

PHONE +43 (0) 50 779 E-MAIL office@kekelit.com

www.kekelit.com

Specifications

Article information

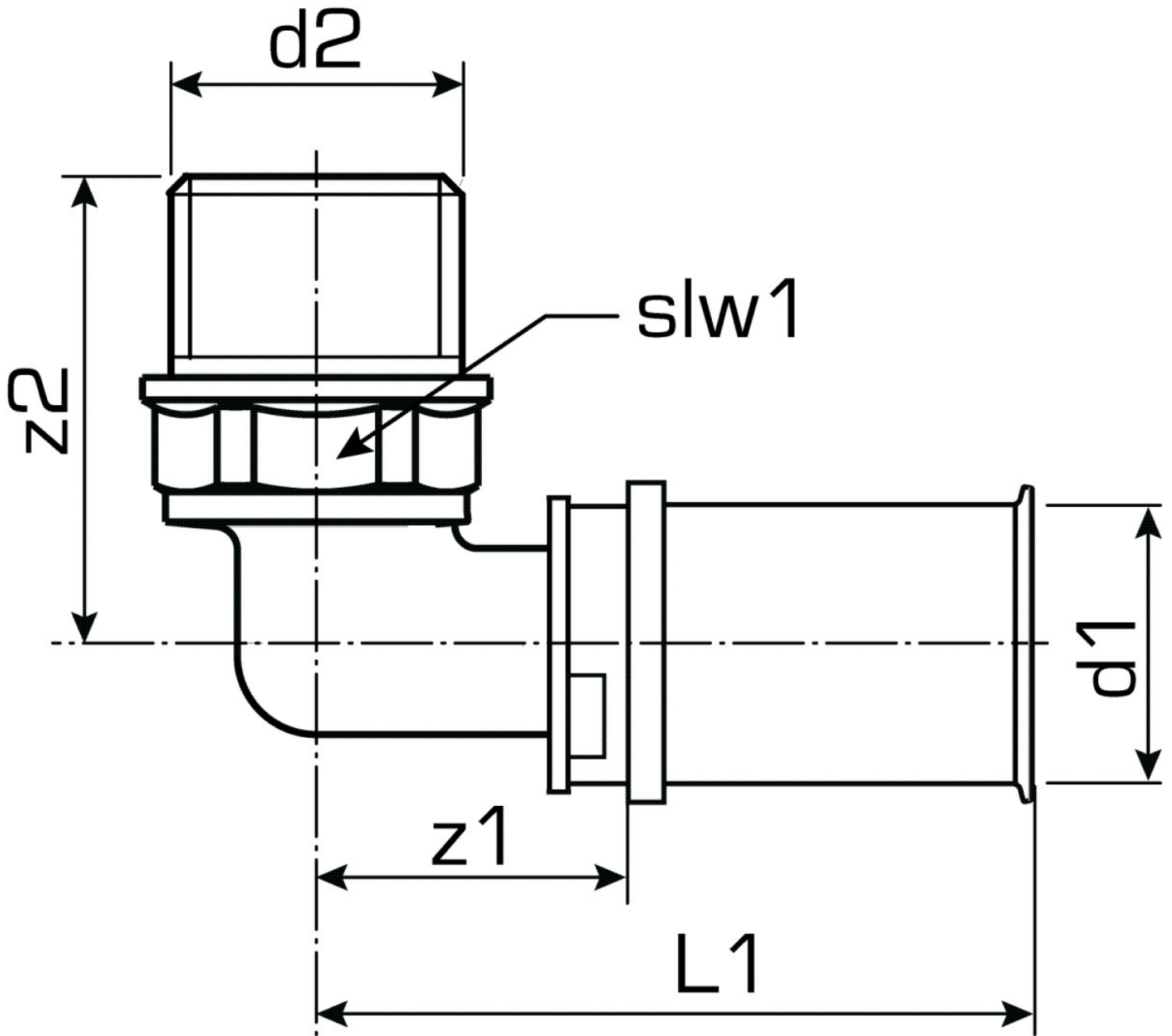
port 1	Pressmuffe
port 2	Außengewinde konisch BSPT-R (ISO 7-1 / EN 10226-1)
design	Winkel
angle	90 °
press contour	U

Technical properties

maximum working pressure at 20 ° C	16 bar
------------------------------------	--------

Product information

VPE1	5,00 SA1
VPE2	10,00 KT1
VPE3	600,00 PAL
weight	0,530 KGM
text	KELOX-ULTRAX-W adapter elbow 90° with male thread
INTRNR	74122000
main material group	KELOX
code	KMW460



Art. No	label	d2	d1 mm	L1 mm	L2 mm	z1 mm
71412G06	40x5/4"	1 1/4"	40	75	50	34