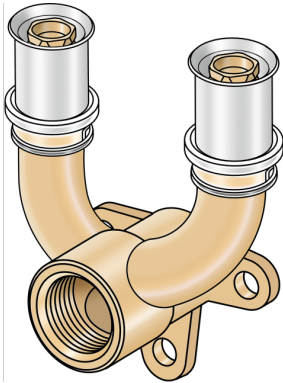


# KELOX

## KMW477 KELOX-ULTRAX-W double U wall bracket fitting with female thread 25x1/2"

71454E2E

### Areas of application



?Zeta value-optimised double U press-fit wall bracket fitting with female thread, made from dezincification-resistant (DZR) brass, including support sleeves with O-rings and stainless steel press-fit sleeves "leak before pressed", audible leakage signal at air-pressure testing

DO NOT screw in threaded pipes and cast iron fittings!

## Approvals:



# Specifications

## Article information

port 1 Pressmuffe

press contour U

## Technical properties

maximum working pressure at 20 ° C 16 bar

## Product information

VPE1 5,00 SA1

VPE2 20,00 KT1

VPE3 1800,00 PAL

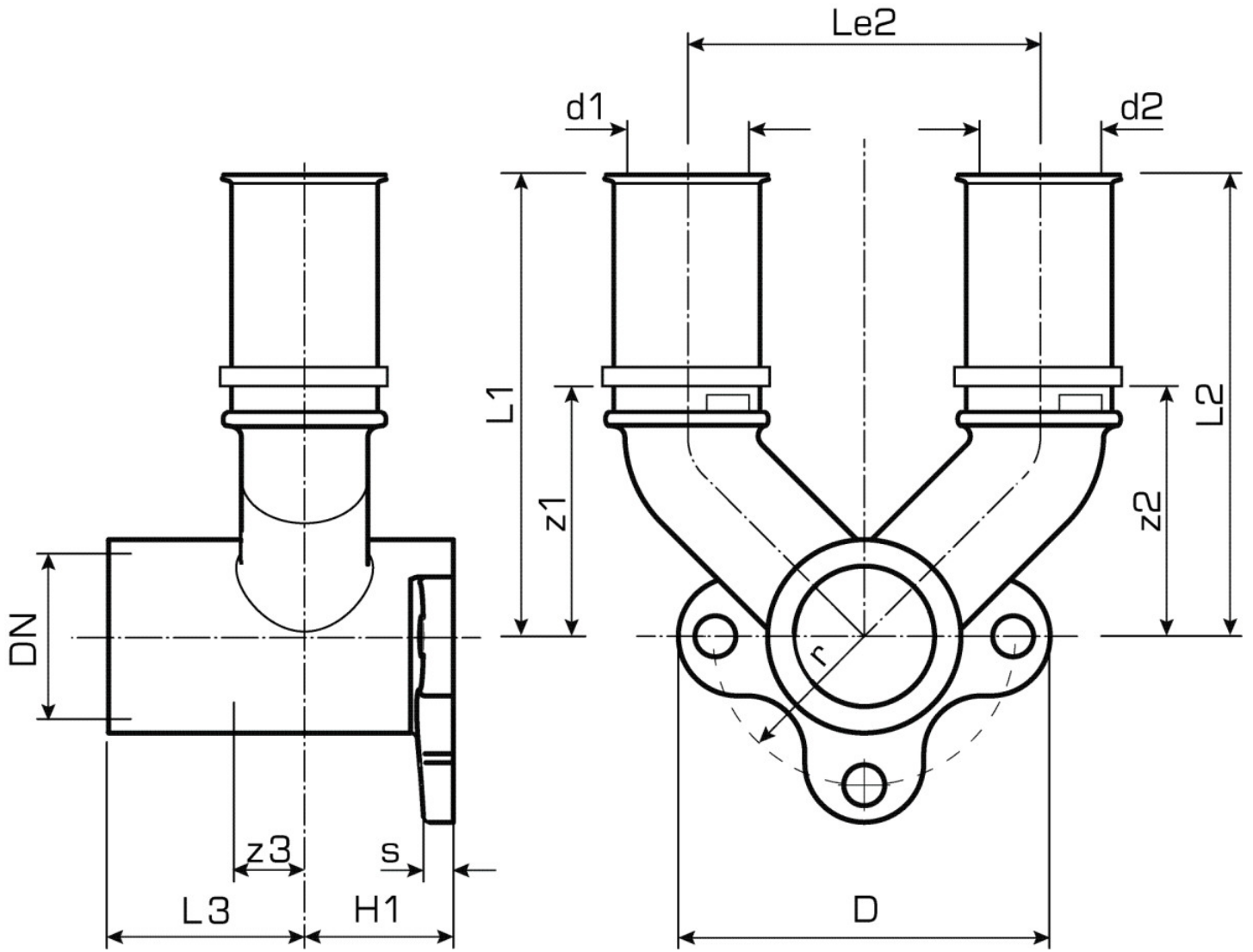
weight 0,260 KGM

text KELOX-ULTRAX-W double U wall bracket fitting with female thread

INTRNR 74122000

main material group KELOX

code KMW477



| Art. No  | label   | d1 mm | L1 mm | L2 mm | L3 mm | z1 mm | z2 mm | z3 mm |
|----------|---------|-------|-------|-------|-------|-------|-------|-------|
| 71454E2E | 25x1/2" | 25    | 72,5  | 72,5  | 21,5  | 42,5  | 42,5  | 105   |