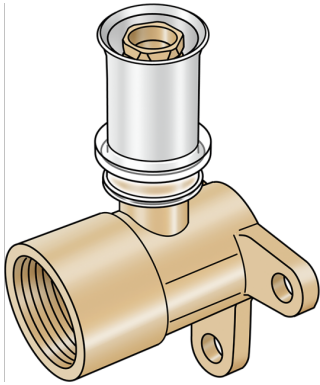


KELOX

KMW480 KELOX-ULTRAX-W wall bracket fitting 90° with female thread 16x1/2"

71452B02

Areas of application



?Zeta value-optimised press-fit wall bracket fitting with female thread, made from dezincification-resistant (DZR) brass, including support sleeves with O-rings and stainless steel press-fit sleeves "leak before pressed", audible leakage signal at air-pressure testing

Overall height: 1/2" - 52mm

Overall height: 3/4" - 48mm

DO NOT screw in threaded pipes and cast iron fittings!

Approvals:



Specifications

Article information

port 1 Pressmuffe

press contour U

Technical properties

maximum working pressure at 20 ° C 16 bar

Product information

VPE1 10,00 SA1

VPE2 30,00 KT1

VPE3 2400,00 PAL

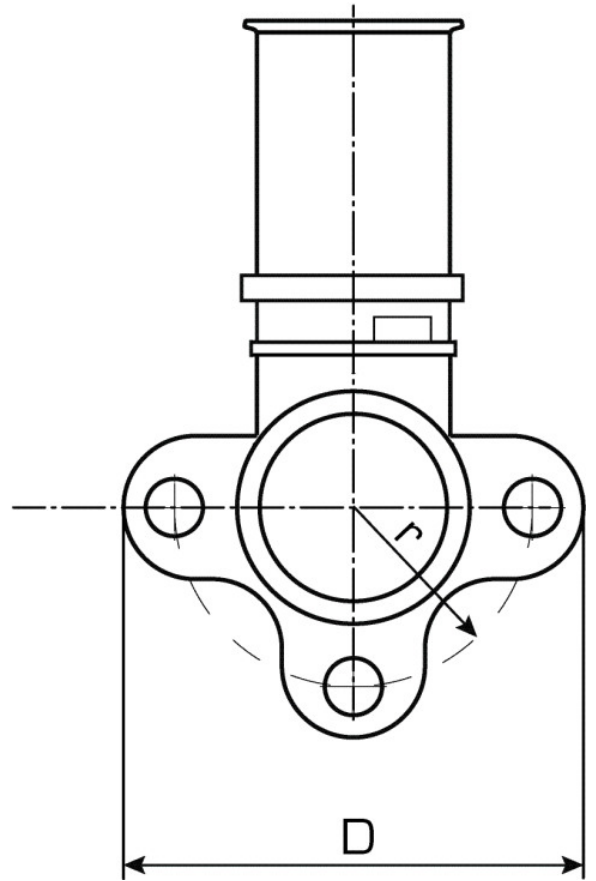
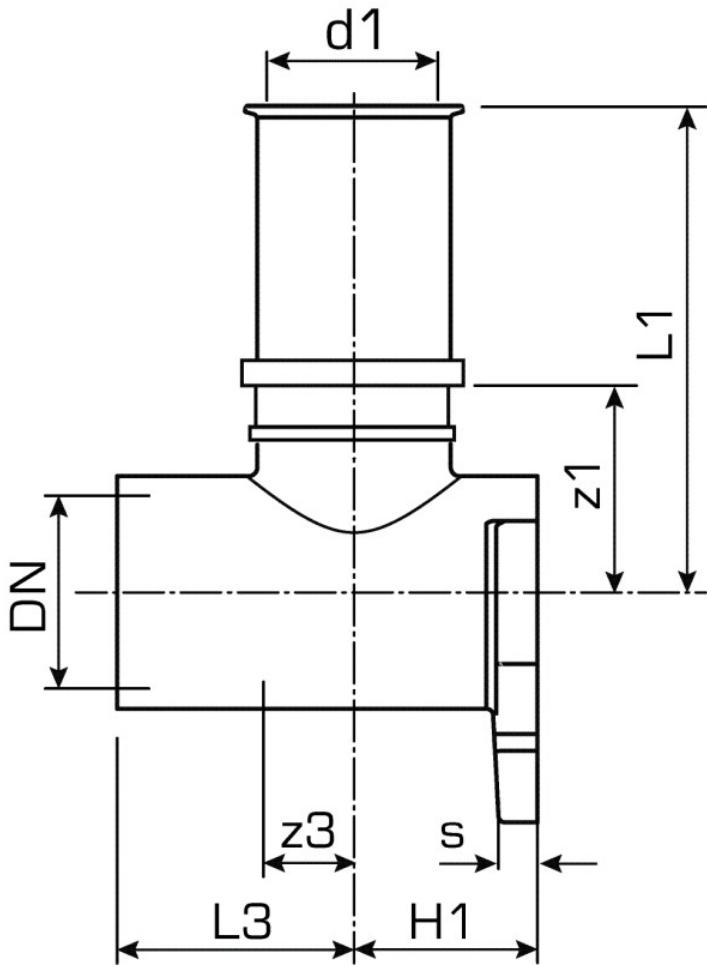
weight 0,147 KGM

text KELOX-ULTRAX-W wall bracket fitting 90° with female thread

INTRNR 74122000

main material group KELOX

code KMW480



Art. No	label	d1 mm	L1 mm	L3 mm	z1 mm	z3 mm
71452B02	16x1/2"	16	49	31	24,5	10