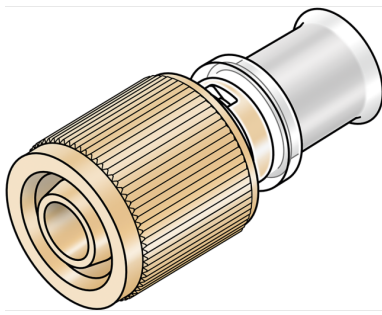


KELOX

KMW482 KELOX-ULTRAX-W cistern connection female thread 16x1/2"

71458B02

Areas of application



Zeta value-optimised cistern connection with female-threaded union, made from dezincification-resistant (DZR) brass, including support sleeves with O-rings and stainless steel press-fit sleeves, "leak before pressed", audible leakage signal at air-pressure testing

Suitable for cisterns from the manufacturers Burda (K750/K760), Geberit, Grohe and TECE

Approvals:



Specifications

Article information

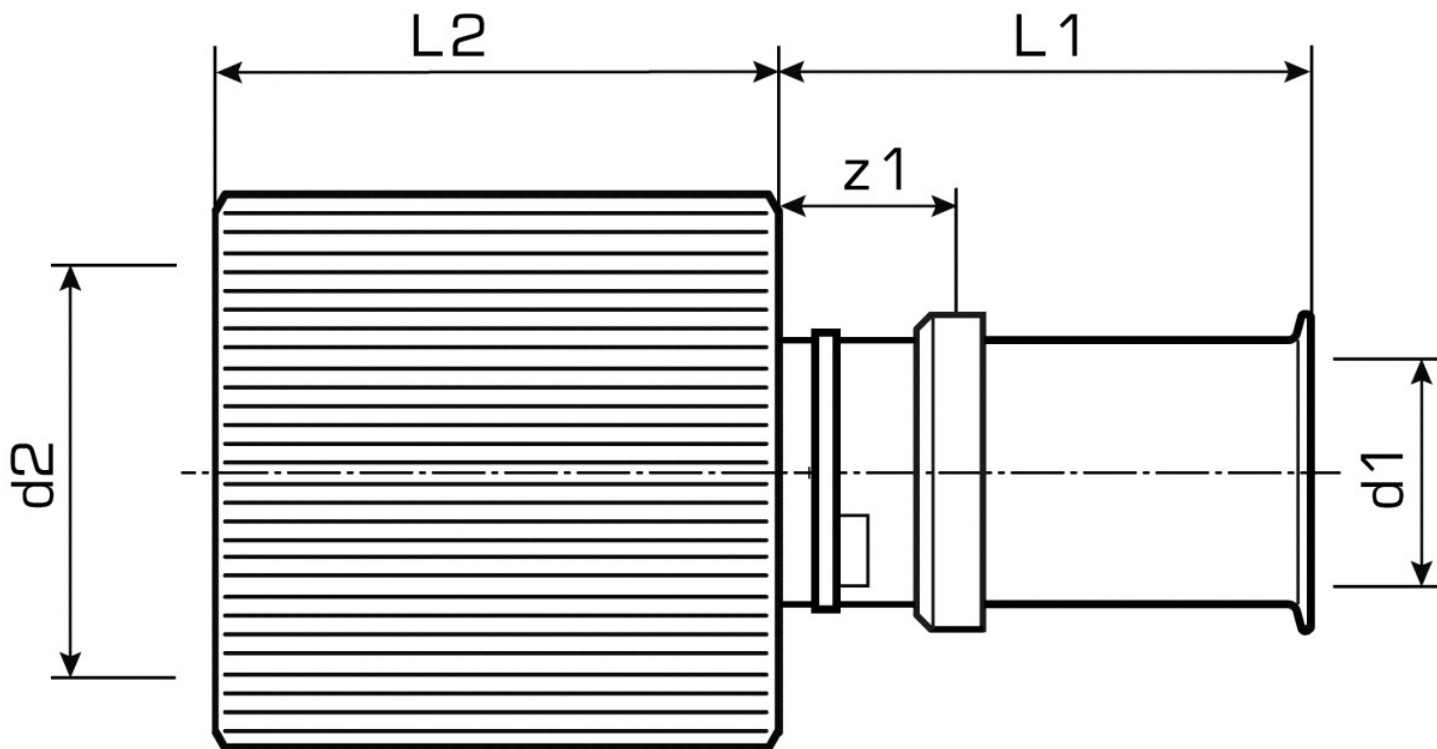
port 1	Pressmuffe
design	gerade
press contour	U

Technical properties

maximum working pressure at 20 ° C	16 bar
------------------------------------	--------

Product information

VPE1	5,00 SA1
VPE2	25,00 KT1
VPE3	1500,00 PAL
weight	0,300 KGM
text	KELOX-ULTRAX-W cistern connection female thread
INTRNR	74122000
main material group	KELOX
code	KMW482



Art. No	label	d2	d1 mm	L1 mm	L2 mm	z1 mm
71458B02	16x1/2"	1/2" (15)	16	33	28	8