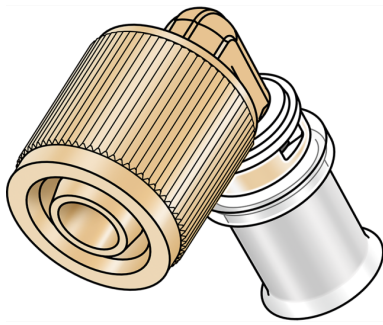


KELOX

KMW482W KELOX-ULTRAX-W cistern connection elbow 90° with female thread 16x1/2"

71459B02

Areas of application



Zeta value-optimised 90° cistern elbow with female-threaded union, made from dezincification-resistant (DZR) brass, including support sleeves with O-rings and stainless steel press-fit sleeves, "leak before pressed", audible leakage signal at air-pressure testing

Suitable for cisterns from the manufacturers Burda (K750/K760), Geberit, Grohe and TECE

Approvals:



Specifications

Article information

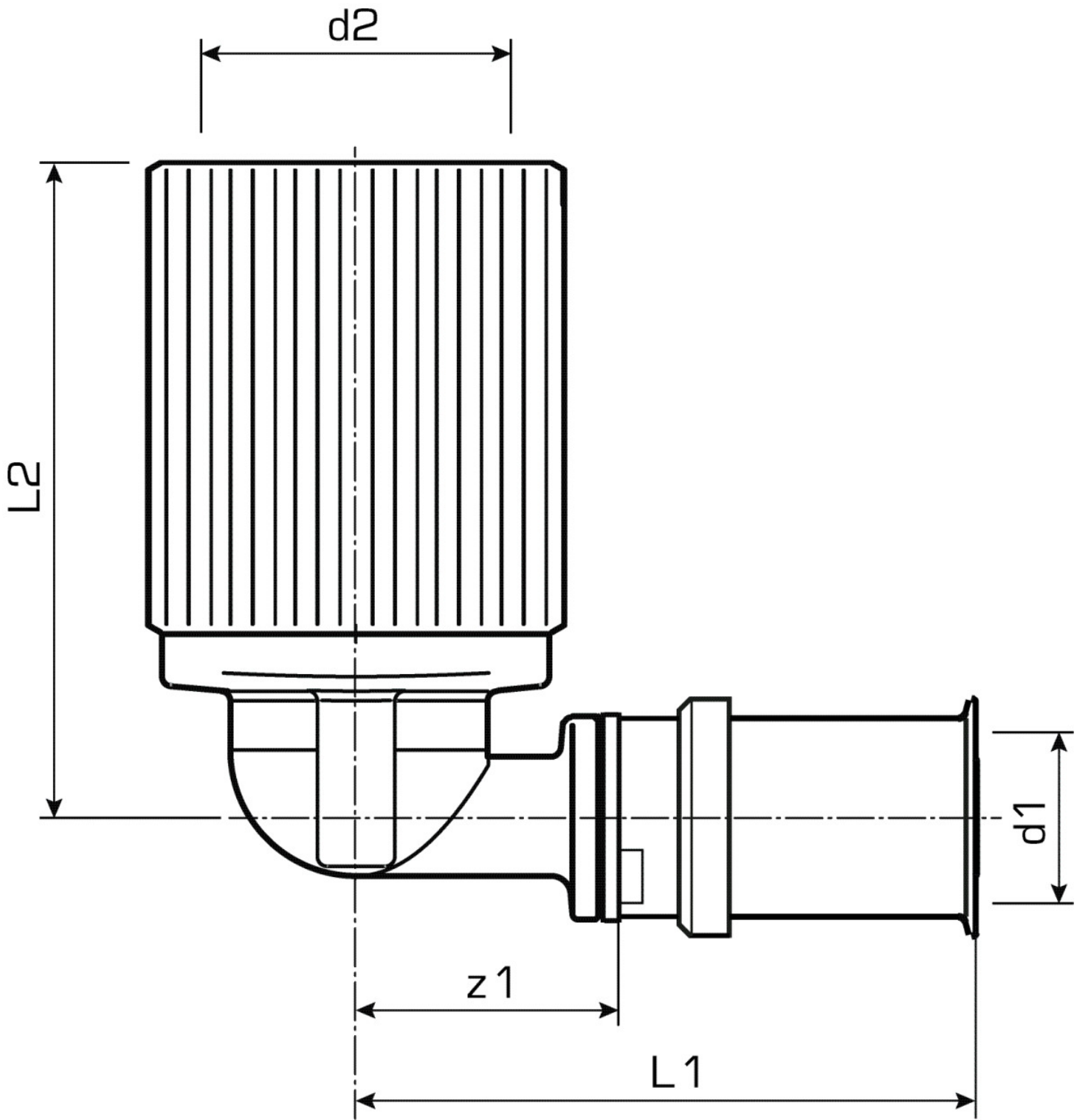
port 1	Pressmuffe
design	Winkel
angle	90 °
press contour	U

Technical properties

maximum working pressure at 20 ° C	16 bar
------------------------------------	--------

Product information

VPE1	5,00 SA1
VPE2	25,00 KT1
VPE3	1500,00 PAL
weight	0,300 KGM
text	KELOX-ULTRAX-W cistern connection elbow 90° with female thread
INTRNR	74122000
main material group	KELOX
code	KMW482W



Art. No	label	d2	d1 mm	L1 mm	L2 mm	z1 mm
71459B02	16x1/2"	1/2" (15)	16	48	38	23



KE KELIT GmbH

A 4020 Linz, Ignaz-Mayer-Straße 17, Austria, Europe

PHONE +43 (0) 50 779 **E-MAIL** office@kekelit.com

www.kekelit.com