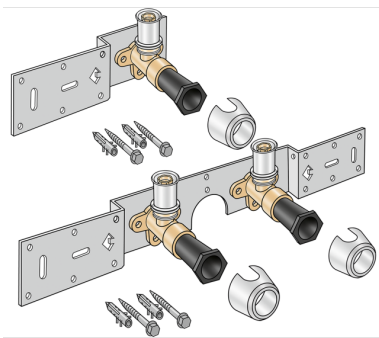


# KELOX

## KMW485 KELOX-ULTRAX-W connection set 16x1/2" 8-10cm

71462B02

### Areas of application



With KMW480 wall bracket fitting elbow 90°, sound-insulated, stopper, metal mount, plugs and fastening elements

DO NOT screw in any threaded pipes and cast iron fittings!

### Approvals:



KE KELIT GmbH

A 4020 Linz, Ignaz-Mayer-Straße 17, Austria, Europe

PHONE +43 (0) 50 779 E-MAIL [office@kekelit.com](mailto:office@kekelit.com)

[www.kekelit.com](http://www.kekelit.com)

# Specifications

Product information	
VPE1	1,00 KT1
VPE2	15,00 KT2
weight	0,931 KGM
text	KELOX-ULTRAX-W connection set
INTRNR	74122000
main material group	KELOX
code	KMW485

Art. No	label
71462B02	16x1/2" 8-10cm