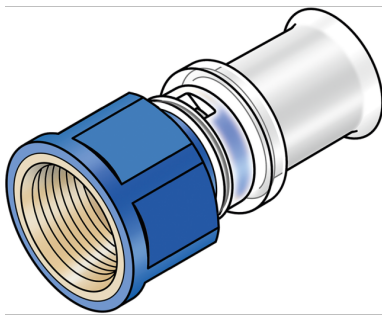


KELOX

KWW457 KELOX-WINDOW-W adapter with female thread 16x3/4"

72406B04

Areas of application



?Zeta value-optimised press-fit adapter with female thread, made from PPSU, including support sleeves with O-rings and stainless steel press-fit sleeves "leak before pressed", audible leakage signal at air-pressure testing

DO NOT screw in threaded pipes and cast iron fittings!

DO NOT use liquid sealants!

Approvals:



Specifications

Article information

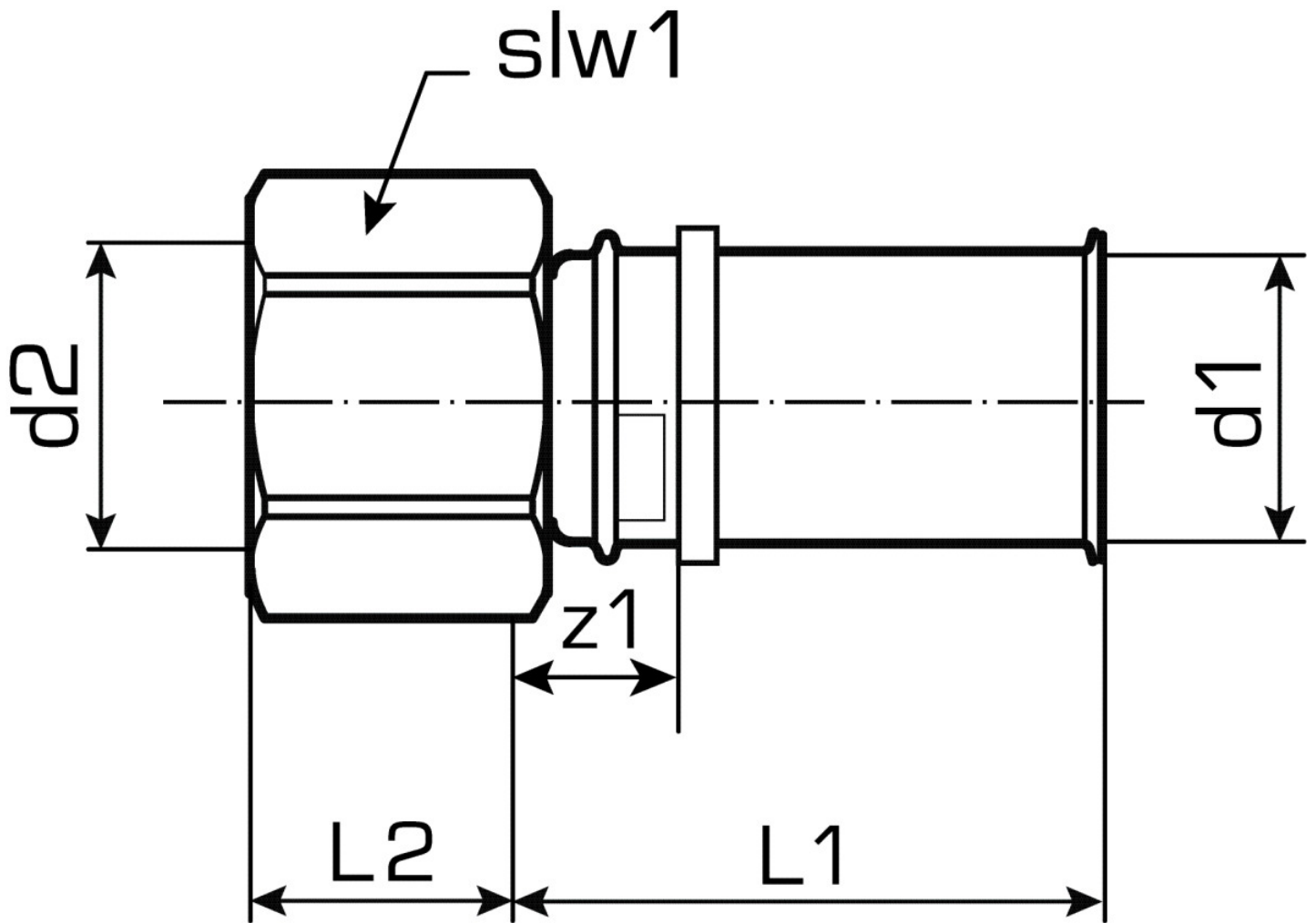
port 1	Pressmuffe
port 2	Innengewinde zylindrisch BSPT-Rp (ISO 7-1 / EN 10226-1)
design	gerade
press contour	U

Technical properties

maximum working pressure at 20 ° C	16 bar
------------------------------------	--------

Product information

VPE1	5,00 SA1
VPE2	25,00 KT1
VPE3	1800,00 PAL
weight	0,037 KGM
text	KELOX-WINDOWX-W adapter with female thread
INTRNR	74122000
main material group	KELOX
code	KWW457



Art. No	label	d2	d1 mm	L1 mm	L2 mm	z1 mm	z2 mm
72406B04	16x3/4"	3/4 Zoll (20)	16	25	34	9,5	9,5