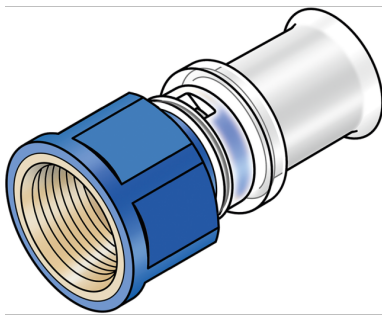


KELOX

KWW457 KELOX-WINDOW-W adapter with female thread 25x1"

72406E05

Areas of application



?Zeta value-optimised press-fit adapter with female thread, made from PPSU, including support sleeves with O-rings and stainless steel press-fit sleeves "leak before pressed", audible leakage signal at air-pressure testing

DO NOT screw in threaded pipes and cast iron fittings!

DO NOT use liquid sealants!

Approvals:



Specifications

Article information

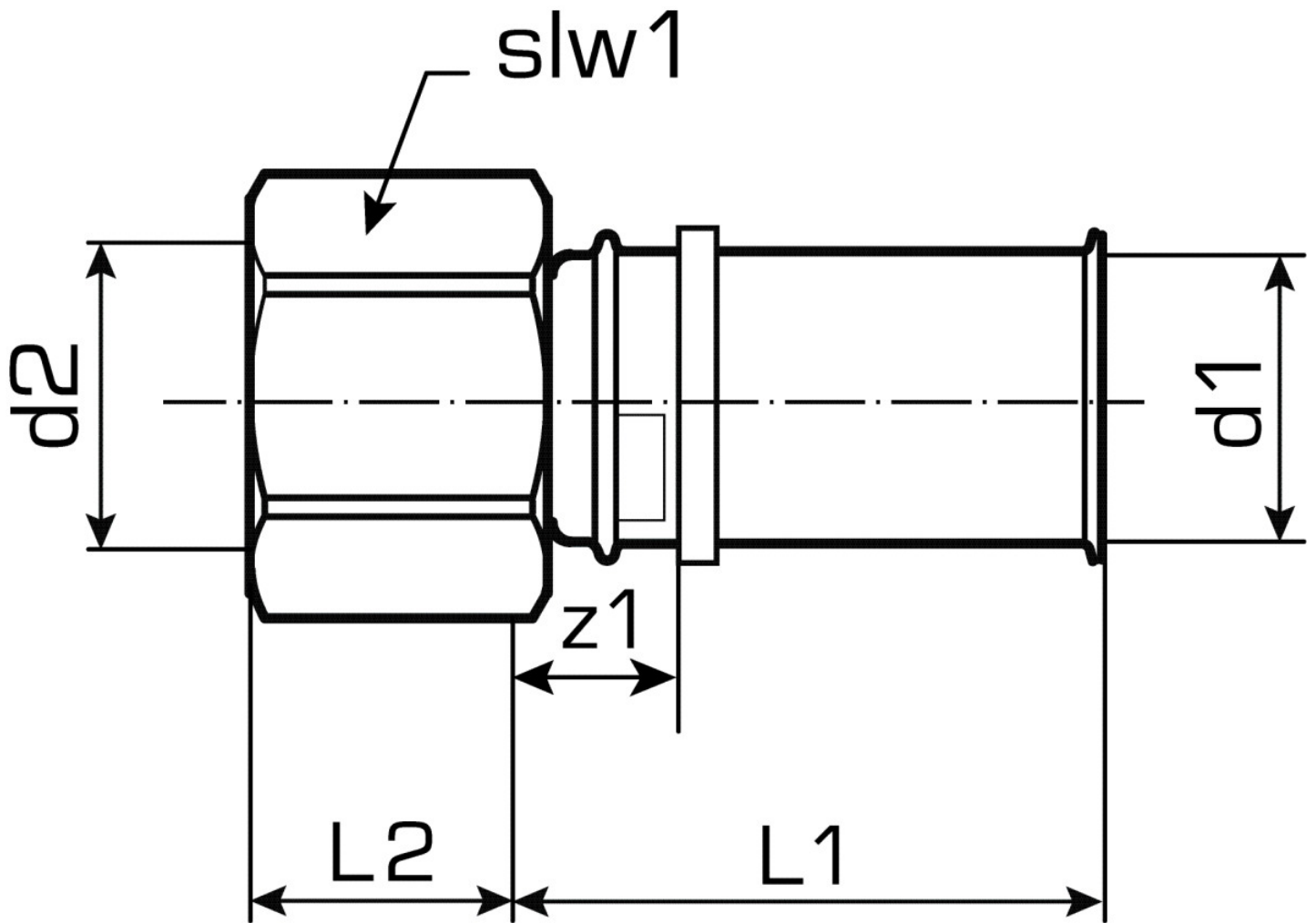
port 1	Pressmuffe
port 2	Innengewinde zylindrisch BSPT-Rp (ISO 7-1 / EN 10226-1)
design	gerade
press contour	U

Technical properties

maximum working pressure at 20 ° C	16 bar
------------------------------------	--------

Product information

VPE1	5,00 SA1
VPE2	20,00 KT1
VPE3	1440,00 PAL
weight	0,065 KGM
text	KELOX-WINDOWX-W adapter with female thread
INTRNR	74122000
main material group	KELOX
code	KWW457



Art. No	label	d2	d1 mm	L1 mm	L2 mm	z1 mm	z2 mm
72406E05	25x1"	1"	25	30	37	10	10