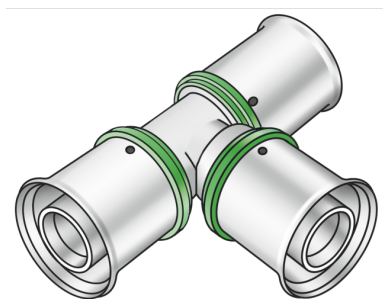


# STEELOX

## SMX440 ?STEELOX tee 25/25/25

57110EEE

### Areas of application



?Press-fit tee, equal or reduced, made of non-porous, metallised dezincification-resistant brass (DZR), incl. support sleeves with O-rings and stainless steel pressing sleeves, "leak before pressed"

### Approvals:



KE KELIT GmbH

A 4020 Linz, Ignaz-Mayer-Straße 17, Austria, Europe

PHONE +43 (0) 50 779 E-MAIL [office@kekelit.com](mailto:office@kekelit.com)

[www.kekelit.com](http://www.kekelit.com)

# Specifications

## Article information

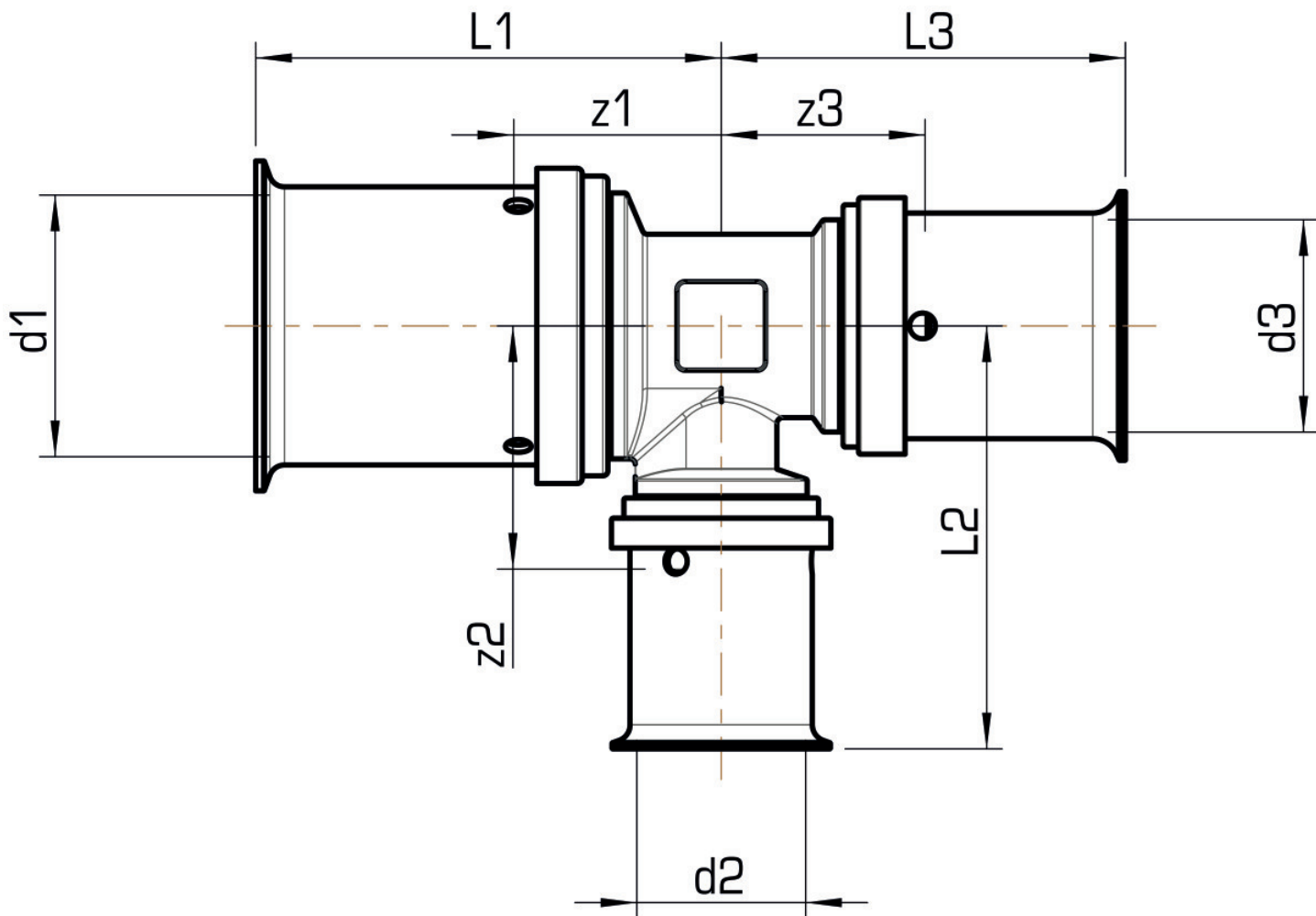
port 1	Pressing socket
port 2	Pressing socket
port 3	Pressing socket
execution	Tee piece
angle	90 °
press contour	SX

## Technical properties

maximum working pressure at 20 ° C	10 bar
------------------------------------	--------

## Product information

VPE1	4,00 SA1
VPE2	40,00 KT1
weight	0,225 KGM
text	?STEELOX tee
INTRNR	74122000
code	SMX440



Art. No	label	d1 mm	d2 mm	d3 mm	L1 mm	L2 mm	L3 mm	z1 mm	z2 mm	z3 mm
57110EEE	25/25/25	25	25	25	49	50	49	16	16	16