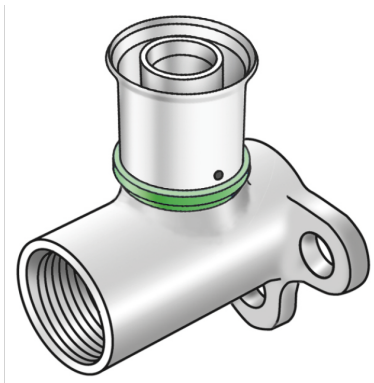


# STEELOX

SMX480 ?STEELOX 90° wall bracket fitting with female thread 16x1/2"

57250B02

## Areas of application



Press wall bracket fitting with female thread made from non-porous metallised dezincification-resistant (DZR) brass; including support sleeves with O-rings and stainless steel press-fit sleeves, "leak before pressed"

Overall height:

1/2" - 46mm

3/4" - 52mm

DO NOT screw in threaded pipes and cast iron fittings!

## Approvals:



# Specifications

## Article information

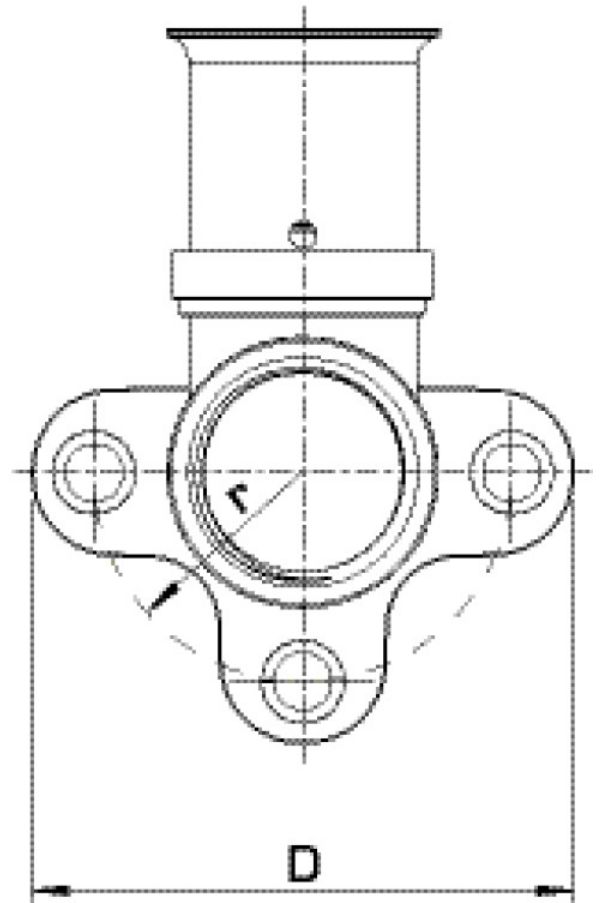
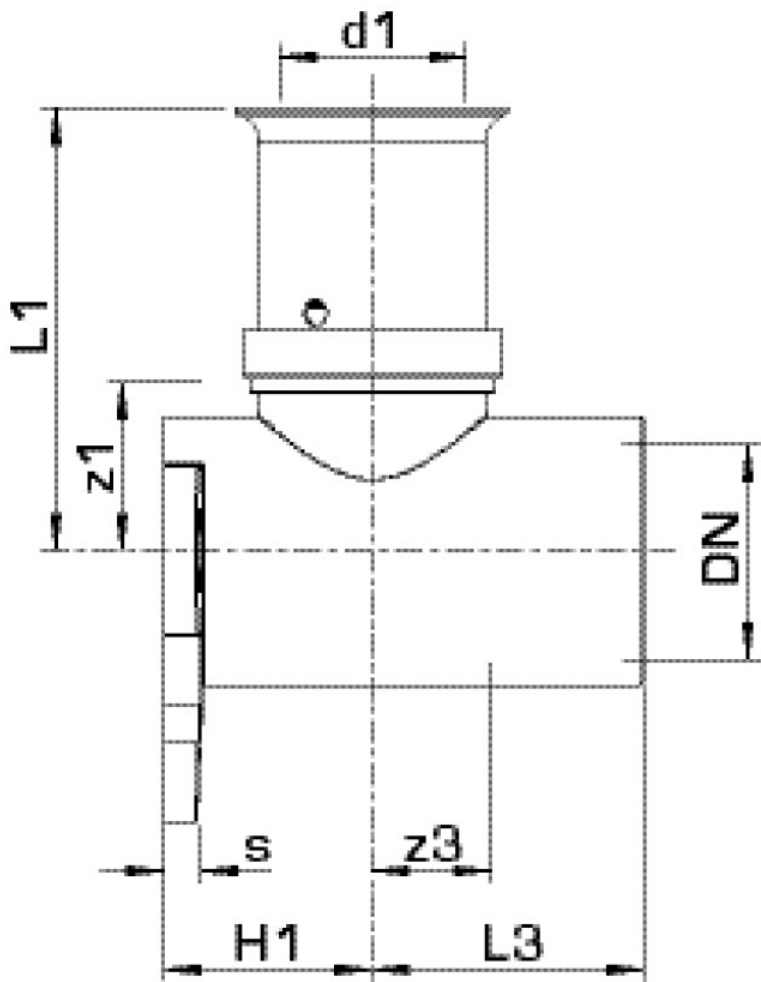
port 1	Pressing socket
design	Continuously right-angled
press contour	SX

## Technical properties

maximum working pressure at 20 ° C	10 bar
------------------------------------	--------

## Product information

VPE1	10,00 SA1
VPE2	100,00 KT1
weight	0,144 KGM
text	?STEELOX 90° wall bracket fitting with female thread
INTRNR	74122000
code	SMX480



Art. No	label	d1 mm	L1 mm	L2	L3 mm	z1 mm	z2	z3 mm
57250B02	16x1/2"	16	42,5	26,5	26,5	20	15	9,5