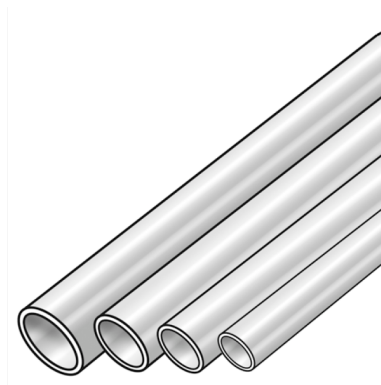


# STEEL FIX C-STAHl

CF100 C-Steel pipe 76,1x2,0

54001J00

## Areas of application



Thin-walled, longitudinally welded stainless steel precision pipes according to EN 10305-3 with particularly low carbon content and with the outside protected by a thermally applied zinc layer and a passivating/chromium layer.

Application area: closed heating and cooling circuits

Operating temperature: - 35°C to 120°C/16bar - tmax 150°C - short-term

Rod length: 6m

# Specifications

## Technical properties

**pipe weight** 3,50 kg/m

**pipe contents** 4,083 l/m

## Product information

**VPE1** 234 BND

**L** 6 m

**weight** 3,71 KGM

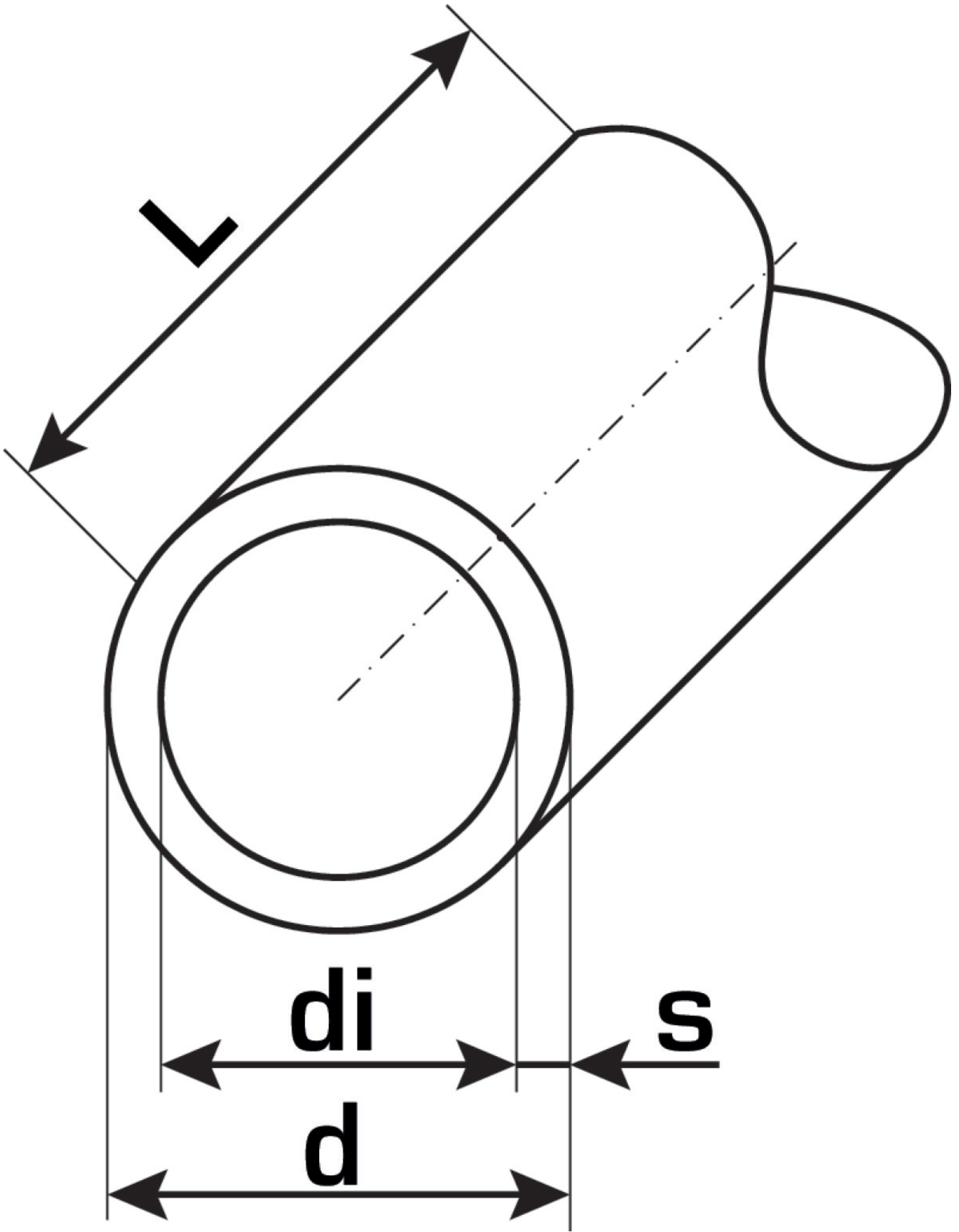
**text** C-Steel pipe

**INTRNR** 73065080

**main material group** STEELFIX

**material group** C-STAHl pipes

**code** CF100



Art. No	label	d	d1 mm	pipe contents l/m	s mm
54001J00	76,1x2,0	72,1	76,1	4,083	2,0



**KE KELIT GmbH**

A 4020 Linz, Ignaz-Mayer-Straße 17, Austria, Europe

**PHONE** +43 (0) 50 779 **E-MAIL** [office@kekelit.com](mailto:office@kekelit.com)

[www.kekelit.com](http://www.kekelit.com)