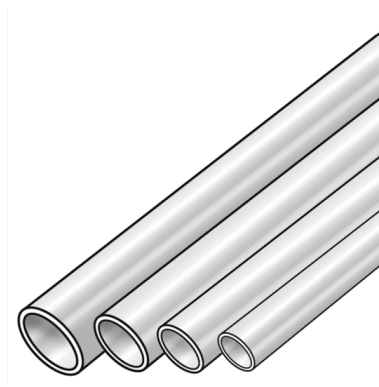


# STEEL FIX C-STAHL

CF150 ?Internal/external galvanised carbon steel pipe 88,9x2,0

54031K00

## Areas of application



Thin-walled, longitudinally welded stainless steel pipes according to EN 10305-3 with particularly low carbon content and with the inside and outside coated with a thermally applied Sendzimir-zinc layer and the outside additionally protected by a passivating/chromium layer

Application area: Closed wet sprinkler systems, dry compressed air systems

Operating temperature and pressure: - - 35°C to 70°C/16bar

Dry compressed air in conjunction with press fittings ONLY:

d15 - 54 mm - max. 16 bar

d76 - 108 mm - max. 10 bar

Marking: Purple protective caps

Rod length: 6m



**KE KELIT GmbH**

A 4020 Linz, Ignaz-Mayer-Straße 17, Austria, Europe

**PHONE** +43 (0) 50 779 **E-MAIL** [office@kekelit.com](mailto:office@kekelit.com)

[www.kekelit.com](http://www.kekelit.com)

# Specifications

## Technical properties

**pipe weight** 5,38 kg/m

**pipe contents** 8,495 l/m

## Product information

**VPE1** 96 BND

**L** 6 m

**weight** 4,46 KGM

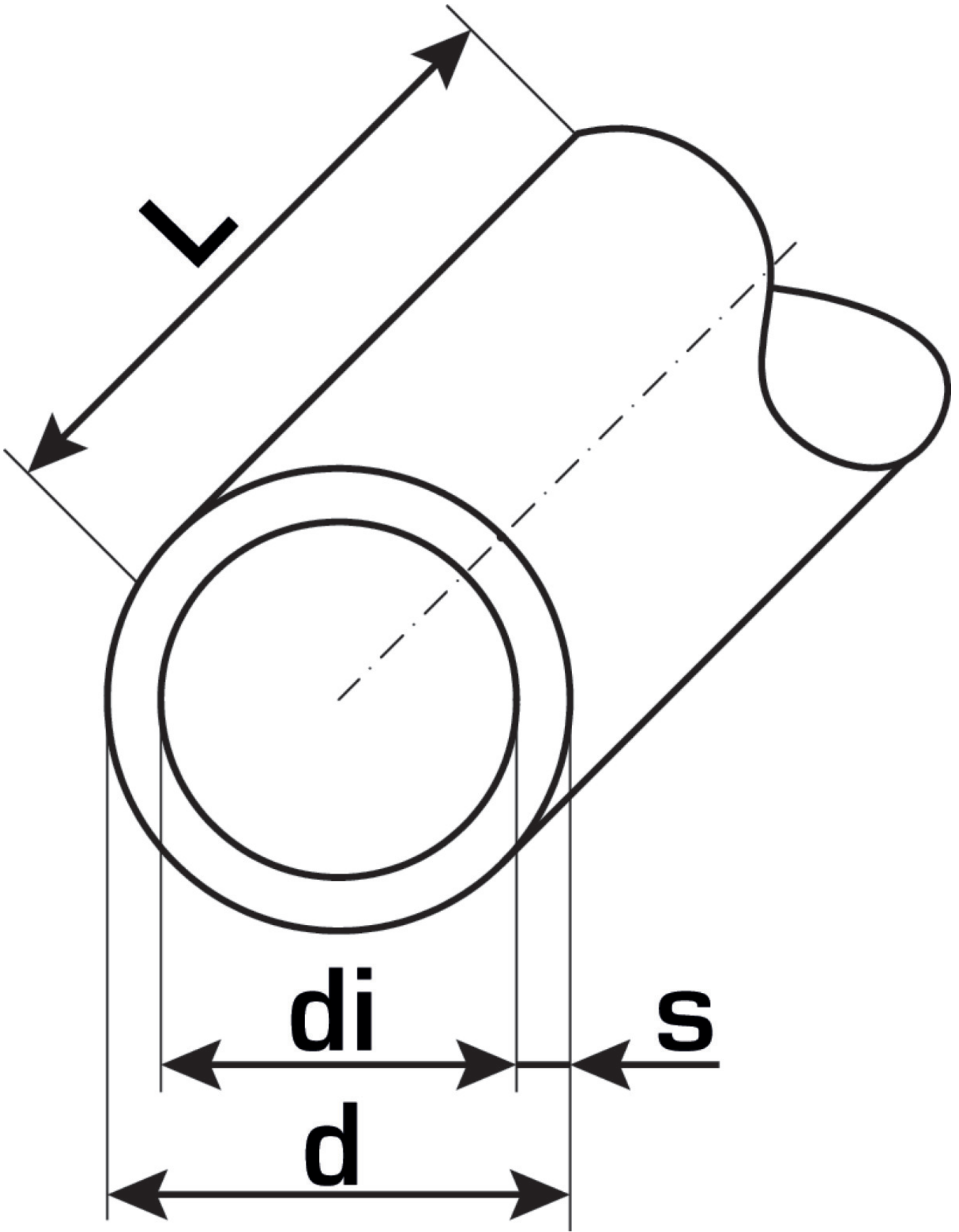
**text** ?Internal/external galvanised carbon steel pipe

**INTRNR** 73065080

**main material group** STEELFIX

**material group** C-STAHl pipes

**code** CF150



Art. No	label	d	d1 mm	pipe contents l/m	s mm
54031K00	88,9x2,0	84,9	88,9	8,495	2



**KE KELIT GmbH**

A 4020 Linz, Ignaz-Mayer-Straße 17, Austria, Europe

**PHONE** +43 (0) 50 779 **E-MAIL** [office@kekelit.com](mailto:office@kekelit.com)

[www.kekelit.com](http://www.kekelit.com)