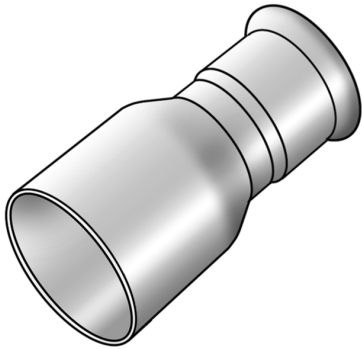


STEEL FIX C-STAHl

CP411 C-steel press-reduction socket
male/female 22/15

54601DB0

Areas of application



Press-reduction socket f/m straight made of C-steel coated with a zinc layer, incl. EPDM sealing components, d15-54 "leak before pressed"

Press contour: M

Specifications

Article information

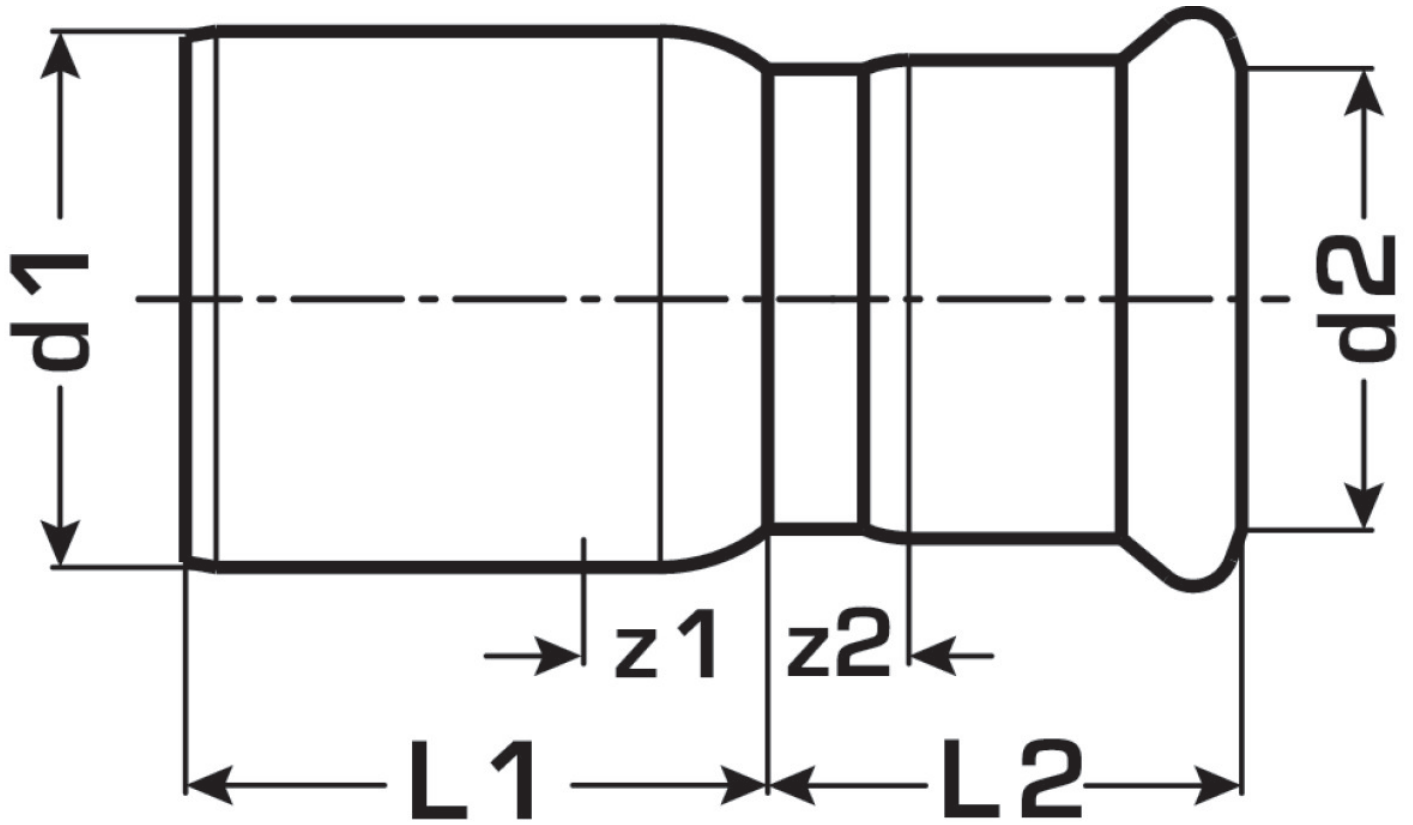
port 1	Pressmuffe
port 2	Zapfen/Rohrende
execution	1-teilig
design	gerade
press contour	M

Technical properties

maximum working pressure at 20 ° C	16 bar
------------------------------------	--------

Product information

VPE1	10 SA1
VPE2	120 KT1
VPE3	3000 DDP
weight	0,053 KGM
text	C-steel press-reduction socket male/female
INTRNR	73079980
main material group	STEELFIX
material group	C-STAHL pressfittings
code	CP411



Art. No	label	d1 mm	d2 mm	L1 mm	L2 mm	z1 mm	z2 mm
54601DB0	22/15	22	15	29	32	9	11