

# STEEL FIX C-STAHl

CP411 C-steel press-reduction socket  
male/female 28/15

54601EB0

## Areas of application



Press-reduction socket f/m straight made of C-steel coated with a zinc layer, incl. EPDM sealing components, d15-54 "leak before pressed"

Press contour: M

# Specifications

## Article information

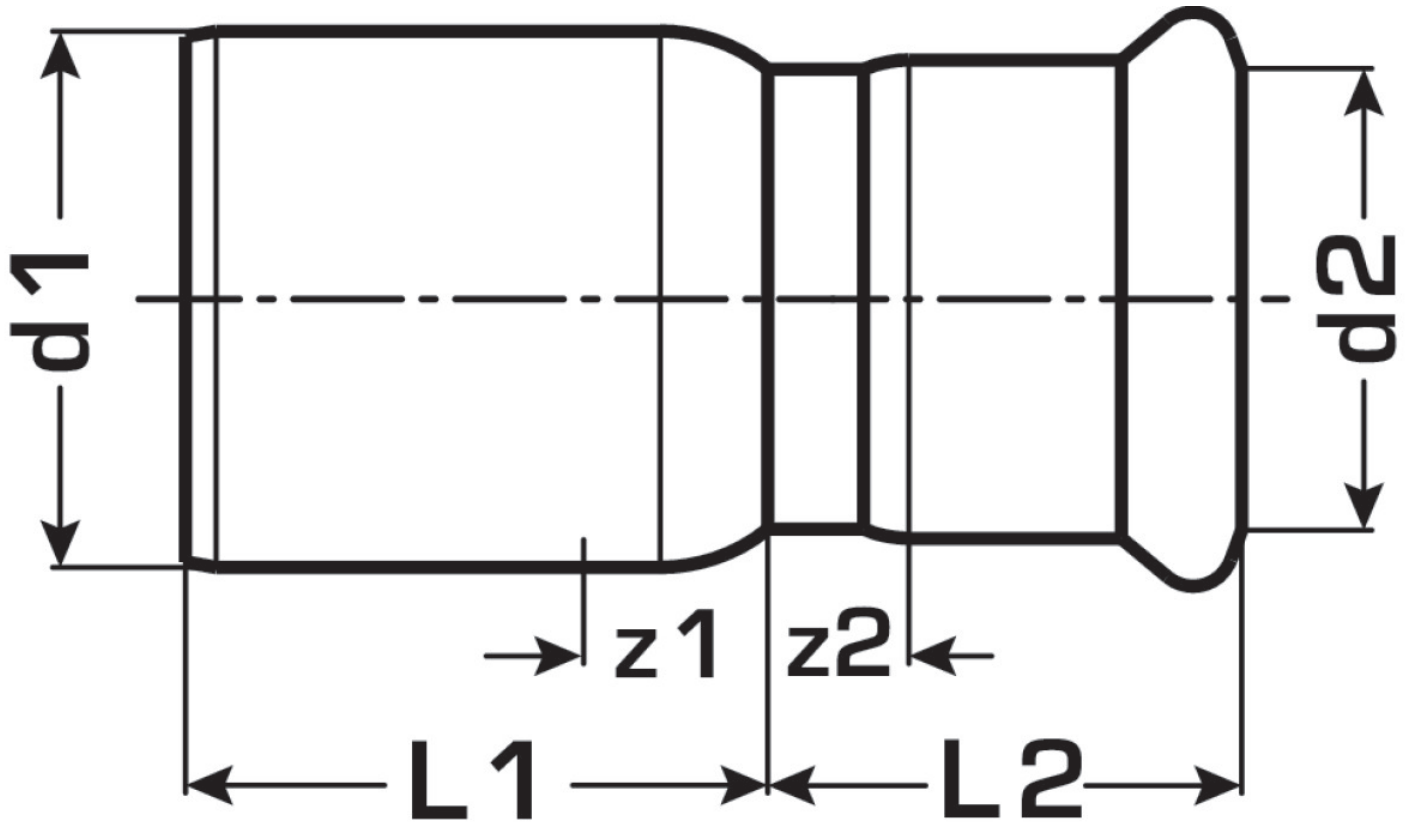
port 1	Pressmuffe
port 2	Zapfen/Rohrende
execution	1-teilig
design	gerade
press contour	M

## Technical properties

maximum working pressure at 20 ° C	16 bar
------------------------------------	--------

## Product information

VPE1	10 SA1
VPE2	80 KT1
VPE3	2000 DDP
weight	0,061 KGM
text	C-steel press-reduction socket male/female
INTRNR	73079980
main material group	STEELFIX
material group	C-STAHL pressfittings
code	CP411



Art. No	label	d1 mm	d2 mm	L1 mm	L2 mm	z1 mm	z2 mm
54601EB0	28/15	28	15	30	38	10	15