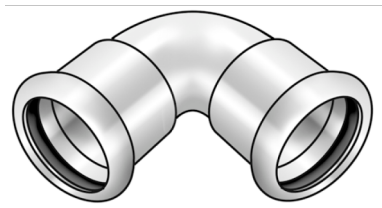


STEEL FIX C-STAHl

CP420 STEELFIX carbon steel press-fit 90°
elbow 22

54615DD0

Areas of application



Press-elbow 90° made of carbon steel coated with a zinc layer, incl. EPDM sealing elements, of d15-54 "leak before pressed"

Press contour: M

Specifications

Article information

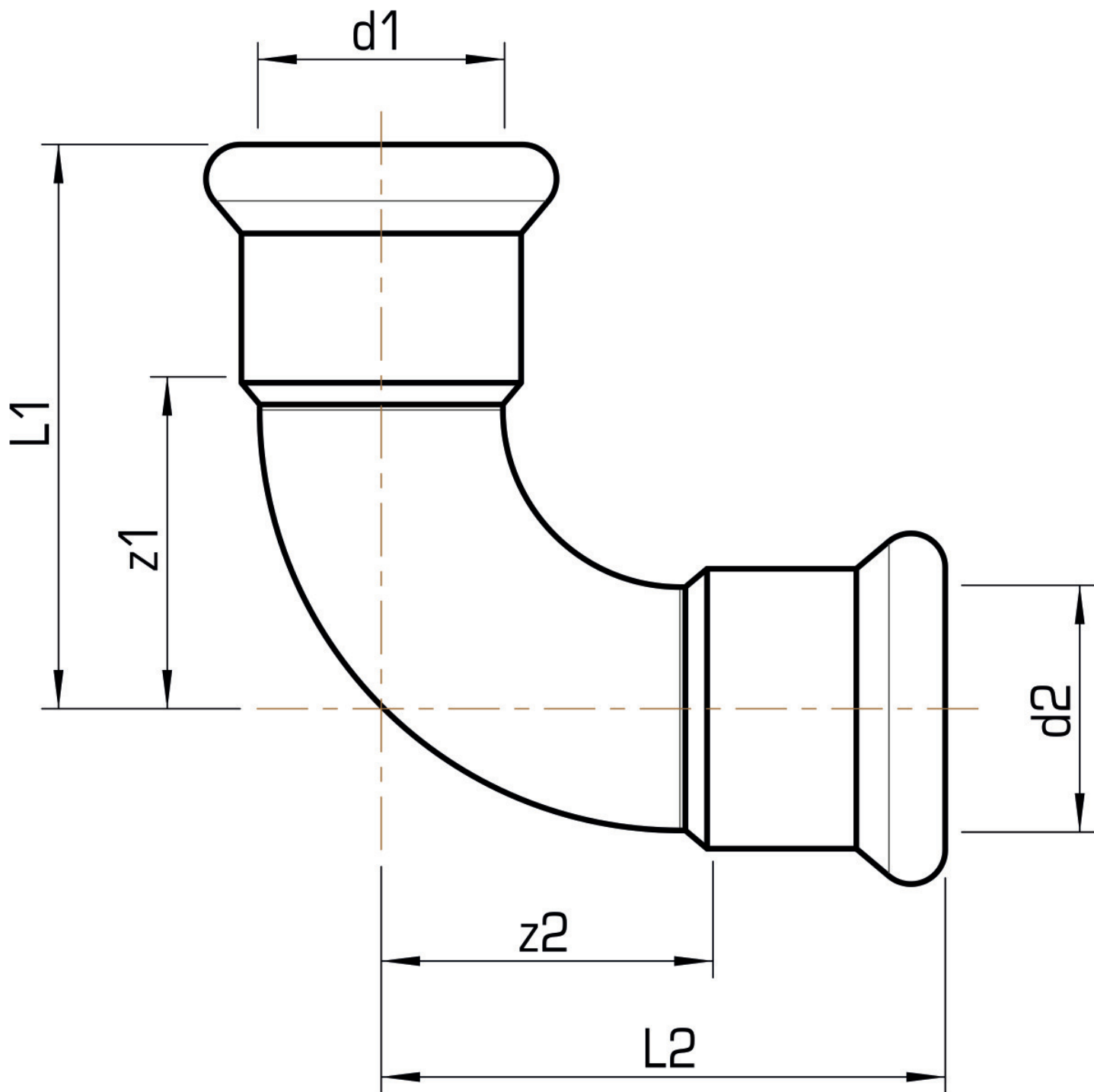
| | |
|---------------|------------|
| port 1 | Pressmuffe |
| port 2 | Pressmuffe |
| execution | 1-part |
| angle | 90 ° |
| press contour | M |

Technical properties

| | |
|------------------------------------|--------|
| maximum working pressure at 20 ° C | 16 bar |
|------------------------------------|--------|

Product information

| | |
|---------------------|---|
| VPE1 | 10,00 SA1 |
| VPE2 | 60,00 KT1 |
| VPE3 | 1500,00 DDP |
| weight | 0,106 KGM |
| text | STEELFIX carbon steel press-fit 90° elbow |
| INTRNR | 73079980 |
| main material group | STEELFIX |
| material group | C-STAHL pressfittings |
| code | CP420 |



| Art. No | label | d1 mm | d2 mm | L1 mm | L2 mm | z1 mm | z2 mm |
|----------|-------|-------|-------|-------|-------|-------|-------|
| 54615DD0 | 22 | 22 | 22 | 51 | 51 | 30 | 30 |