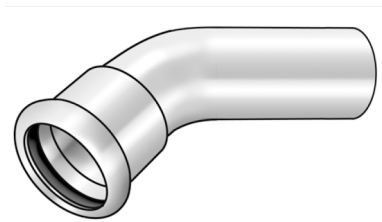


# STEEL FIX C-STAHl

CP426 C-Steel press-elbow 45° male/female 15

54621BB0

## Areas of application



Press-elbow 45°, f/m, made of carbon steel coated with a zinc layer, incl. EPDM sealing elements, d15-54 "not pressed, not sealed"

Press contour: M

# Specifications

## Article information

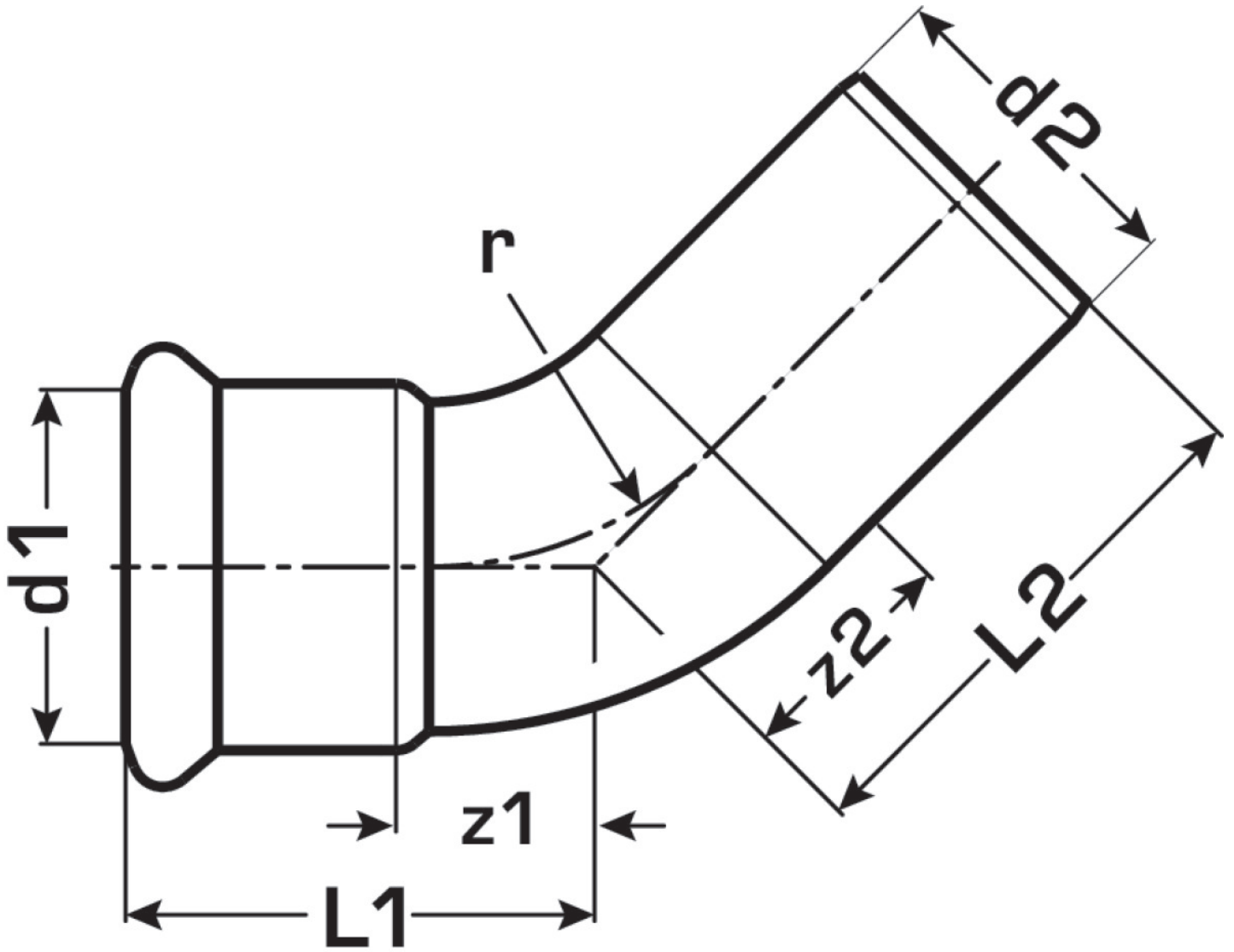
port 1	Pressmuffe
port 2	Zapfen/Rohrende
execution	1-teilig
design	Bogen
angle	45 °
press contour	M

## Technical properties

maximum working pressure at 20 ° C	16 bar
------------------------------------	--------

## Product information

VPE1	10 SA1
VPE2	150 KT1
VPE3	3750 DDP
weight	0,098 KGM
text	C-Steel press-elbow 45° male/female
INTRNR	73079980
main material group	STEELFIX
material group	C-STAHL pressfittings
code	CP426



Art. No	label	d1 mm	d2 mm	L1 mm	L2 mm	z1 mm
54621BB0	15	15	15	31	38	11