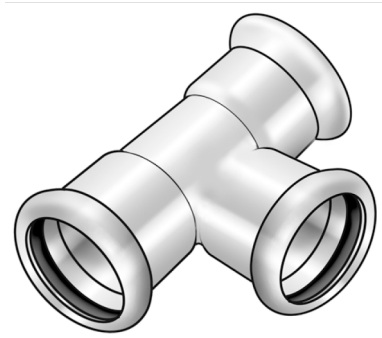


STEEL FIX C-STAHl

CP440 C-Steel press-tee 89/35/89

54630KFK

Areas of application



Press-fit tee equal or reduced made of carbon steel coated with a zinc layer, incl. EPDM sealing components, d15-54 "leak before pressed"

Press contour: M

Specifications

Article information

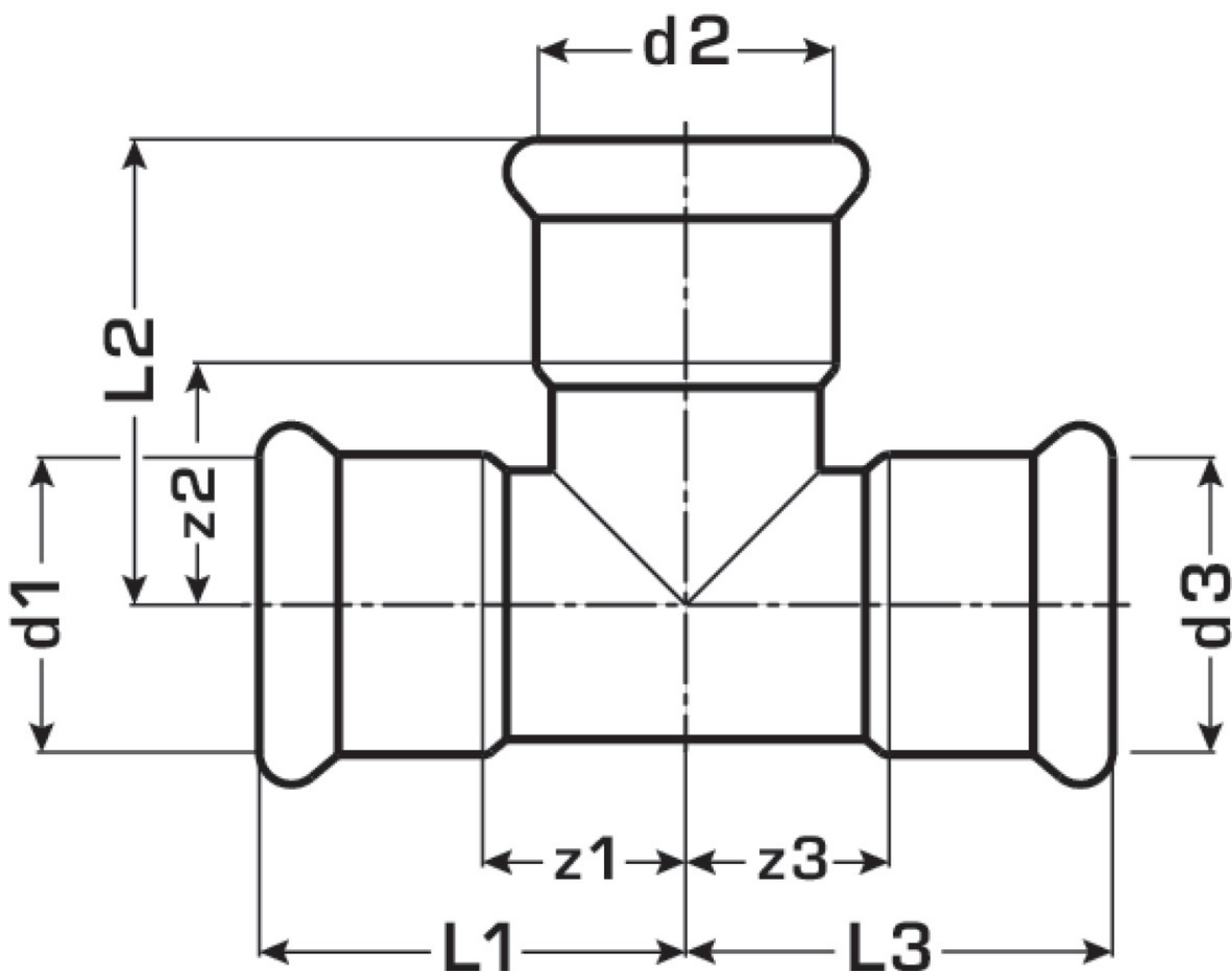
port 1	Pressmuffe
port 2	Pressmuffe
port 3	Pressmuffe
execution	T-Stück
press contour	M

Technical properties

maximum working pressure at 20 ° C	16 bar
------------------------------------	--------

Product information

VPE1	2 SA1
weight	1,267 KGM
text	C-Steel press-tee
INTRNR	73079980
main material group	STEELFIX
material group	C-STAHL pressfittings
code	CP440



Art. No	label	d1 mm	d2 mm	d3 mm	L1 mm	L2 mm	L3 mm	z1 mm	z2 mm	z3 mm
54630KFk	89/35/89	88.9	35	88.9	130	97	130	67	71	67