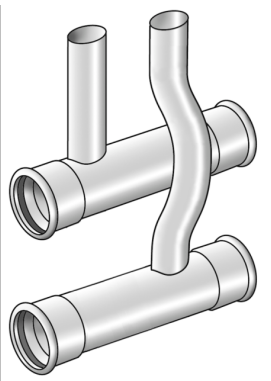


# STEEL FIX C-STAHl

## CP442 C-steel press curved tee 22/15

54631DBD

### Areas of application

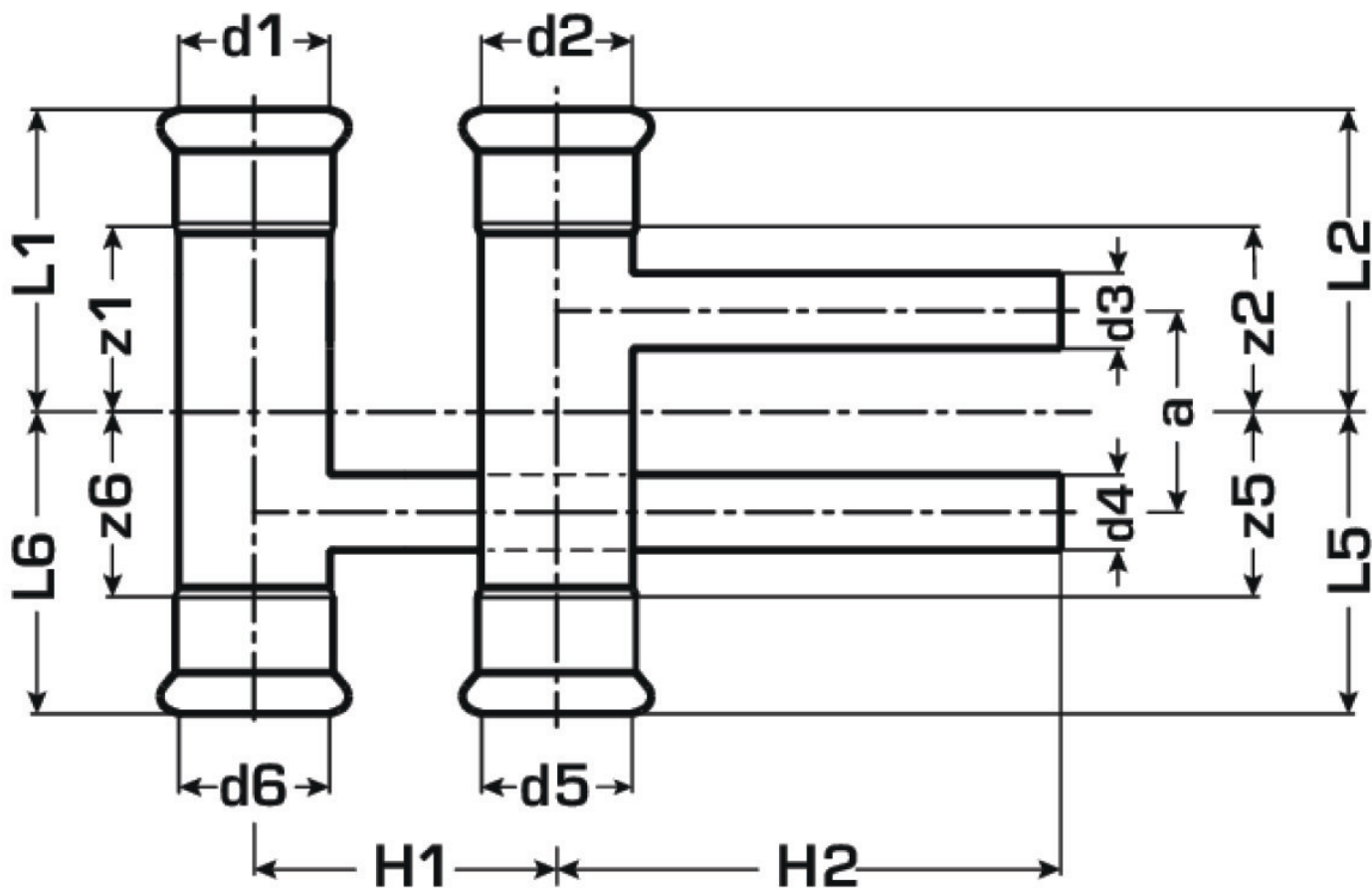


Press-fit curved tee, equal or reduced, made of carbon steel coated with a zinc layer, incl. EPDM sealing components, "leak before pressed"

Press contour: M

# Specifications

| Product information |                          |
|---------------------|--------------------------|
| VPE1                | 1 SA1                    |
| VPE2                | 10 KT1                   |
| weight              | 0,35 KGM                 |
| text                | C-steel press curved tee |
| INTRNR              | 73079980                 |
| main material group | STEELFIX                 |
| material group      | C-STAHL pressfittings    |
| code                | CP442                    |



| Art. No  | label | d1 + d3 mm | L1 mm |
|----------|-------|------------|-------|
| 54631DBD | 22/15 | 22x15      | 60    |