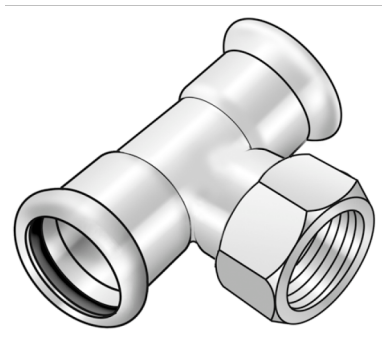


# STEEL FIX C-STAHl

CP447 C-steel press-tee with branch female  
15x1/2"

54740B02

## Areas of application



Press-tee with threaded branch female made of C-steel coated with a zinc layer, incl. EPDM sealing components,

d15-54 "leak before pressed"

Press contour: M

# Specifications

## Article information

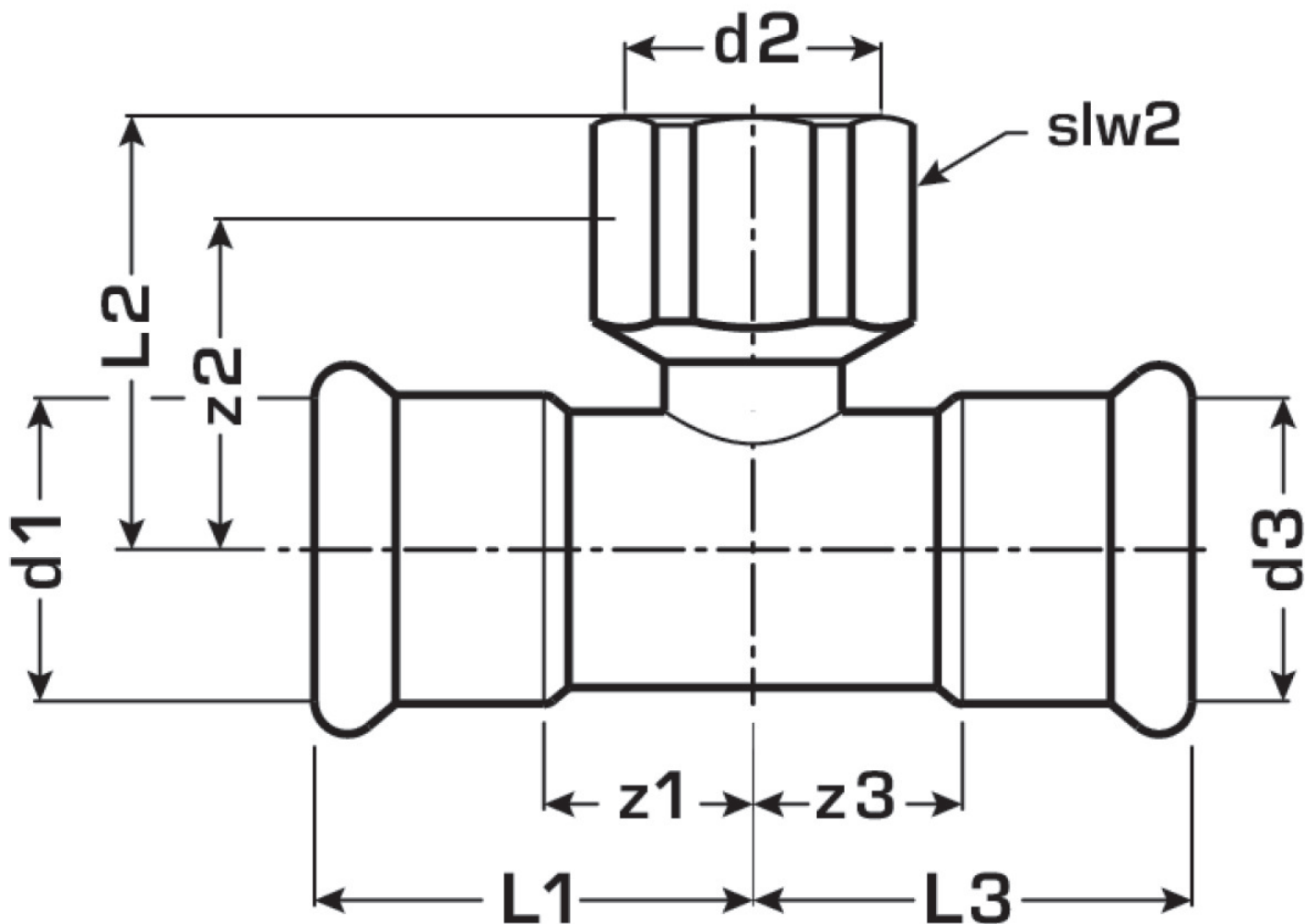
port 1	Pressmuffe
port 2	Innengewinde konisch (NPT)
port 3	Pressmuffe
execution	T-Stück
press contour	M

## Technical properties

maximum working pressure at 20 ° C	16 bar
------------------------------------	--------

## Product information

VPE1	10 SA1
VPE2	70 KT1
VPE3	1750 DDP
weight	0,084 KGM
text	C-steel press-tee with branch female
INTRNR	73079980
main material group	STEELFIX
material group	C-STAHL pressfittings
code	CP447



Art. No	label	d2	d1 mm	d3 mm	L1 mm	L2 mm	L3 mm	z1 mm	z2 mm	z3 mm	slw1 mm
54740B0	15x1/2"	1/2 Zoll (15)	15	15	35	37	35	15	22	15	28