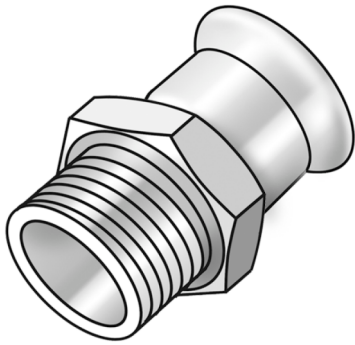


# STEEL FIX C-STAHL

CP450 STEELFIX carbon steel press-fit-adapter with male thread 22x1"

54702D05

## Areas of application



?Press-adapter with male thread conforming to EN 10226-1 made of carbon steel coated with a zinc layer, incl. EPDM sealing elements, d15-54 "leak before pressed"

Press contour: M

# Specifications

## Article information

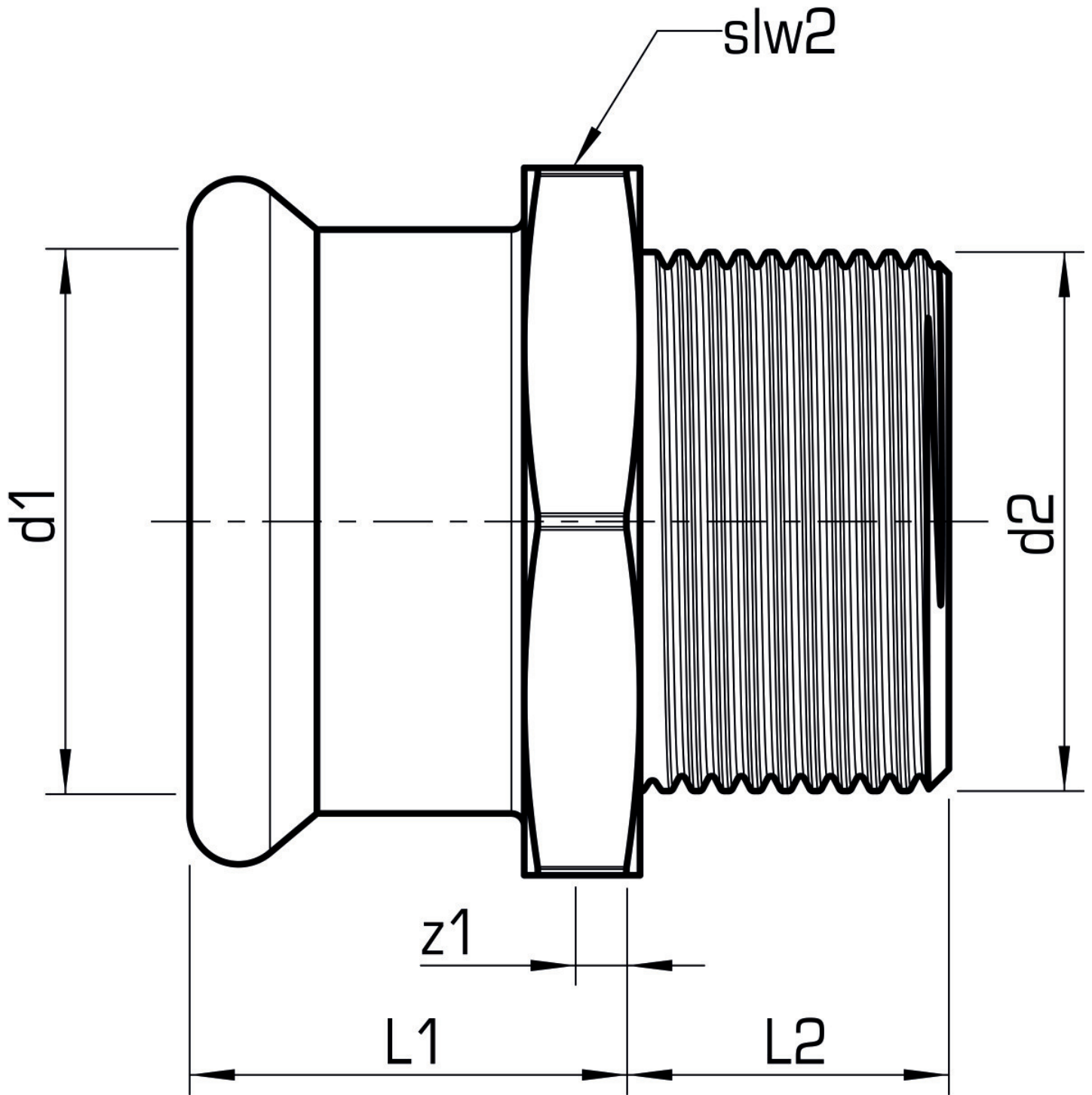
|               |                            |
|---------------|----------------------------|
| port 1        | Pressmuffe                 |
| port 2        | Außengewinde konisch (NPT) |
| execution     | 1-part                     |
| design        | gerade                     |
| press contour | M                          |

## Technical properties

|                                    |        |
|------------------------------------|--------|
| maximum working pressure at 20 ° C | 16 bar |
|------------------------------------|--------|

## Product information

|                     |                                                          |
|---------------------|----------------------------------------------------------|
| VPE1                | 10,00 SA1                                                |
| VPE2                | 60,00 KT1                                                |
| VPE3                | 1500,00 DDP                                              |
| weight              | 0,095 KGM                                                |
| text                | STEELFIX carbon steel press-fit-adapter with male thread |
| INTRNR              | 73079980                                                 |
| main material group | STEELFIX                                                 |
| material group      | C-STAHL pressfittings                                    |
| code                | CP450                                                    |



| Art. No  | label | d2 Inches | d1 mm | L1 mm | L2 mm | z1 mm | slw2 mm |
|----------|-------|-----------|-------|-------|-------|-------|---------|
| 54702D05 | 22x1" | 1"        | 22    | 25    | 25    | 6     | 34      |