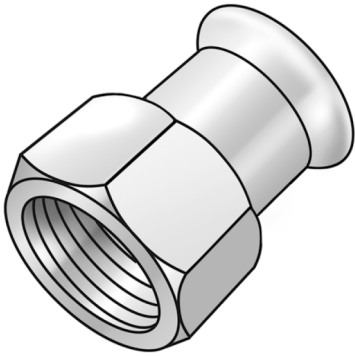


# STEEL FIX C-STAHL

CP457 STEELFIX carbon steel press-fit-adapter with female thread 35x5/4"

54706F06

## Areas of application



Press-adapter with female thread made of carbon steel coated with a zinc layer, incl. EPDM sealing elements, d15-54 "leak before pressed"

Press contour: M

# Specifications

## Article information

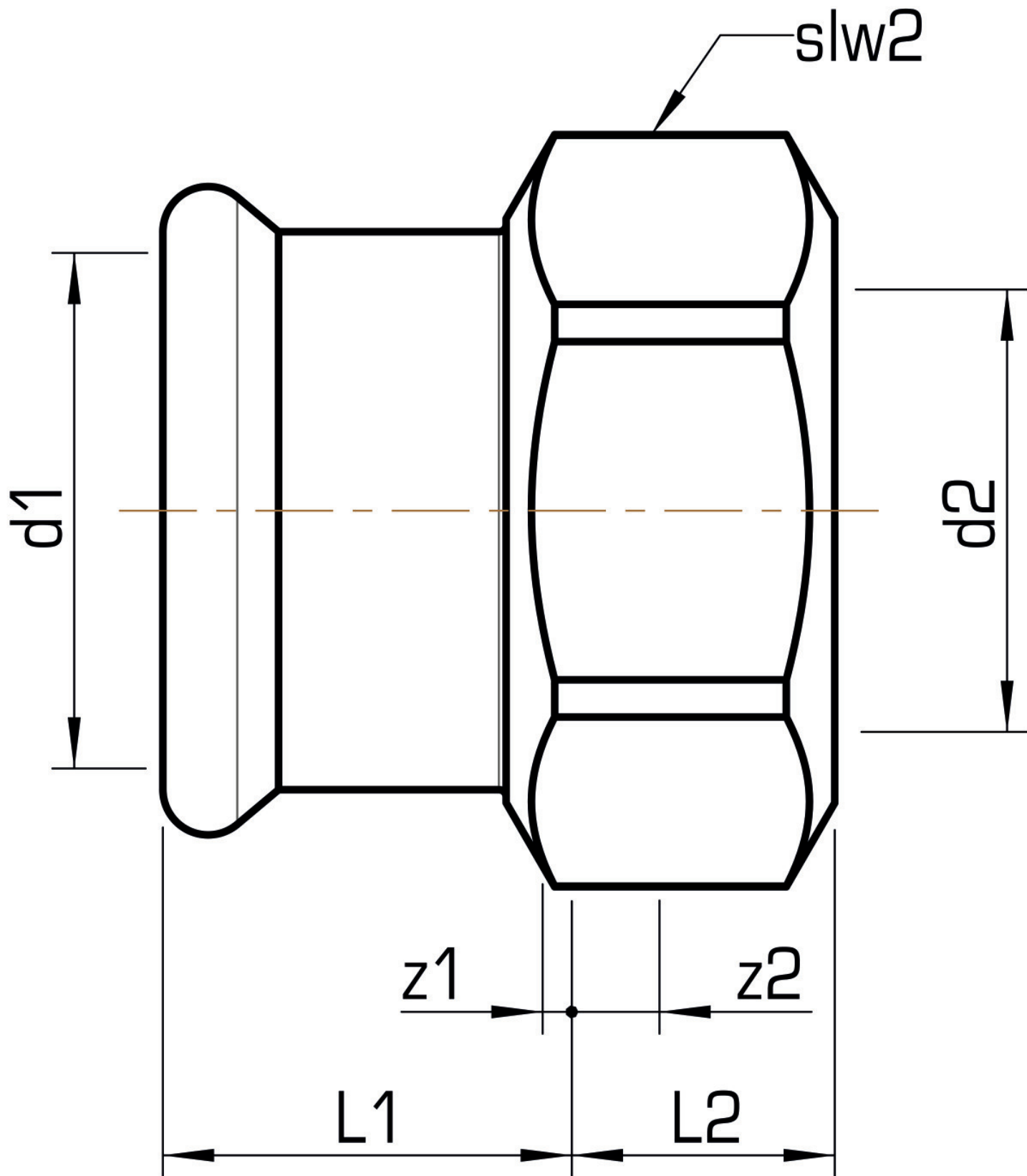
port 1	Pressmuffe
port 2	Innengewinde zylindrisch BSPT-Rp (ISO 7-1 / EN 10226-1)
execution	1-part
design	gerade
press contour	M

## Technical properties

maximum working pressure at 20 ° C	16 bar
------------------------------------	--------

## Product information

VPE1	5,00 SA1
VPE2	20,00 KT1
VPE3	500,00 DDP
weight	0,160 KGM
text	STEELFIX carbon steel press-fit-adapter with female thread
INTRNR	73079980
main material group	STEELFIX
material group	C-STAHL pressfittings
code	CP457



Art. No	label	d2 Inches	d1 mm	L1 mm	L2 mm	z1 mm	z2 mm	slw2 mm
54706F06	35x5/4"	1 1/4"	35	30	20	4	2	46



**KE KELIT GmbH**

A 4020 Linz, Ignaz-Mayer-Straße 17, Austria, Europe

**PHONE** +43 (0) 50 779 **E-MAIL** office@kekelit.com

www.kekelit.com