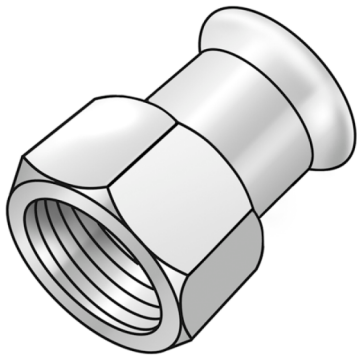


STEEL FIX C-STAHl

CP457 C-Steel press-adaptor female 42x6/4"

54706G07

Areas of application



Press-fit adaptor with female thread made of carbon steel coated with a zinc layer, incl. EPDM sealing components, d15-54 "leak before pressed"

Press contour: M

Specifications

Article information

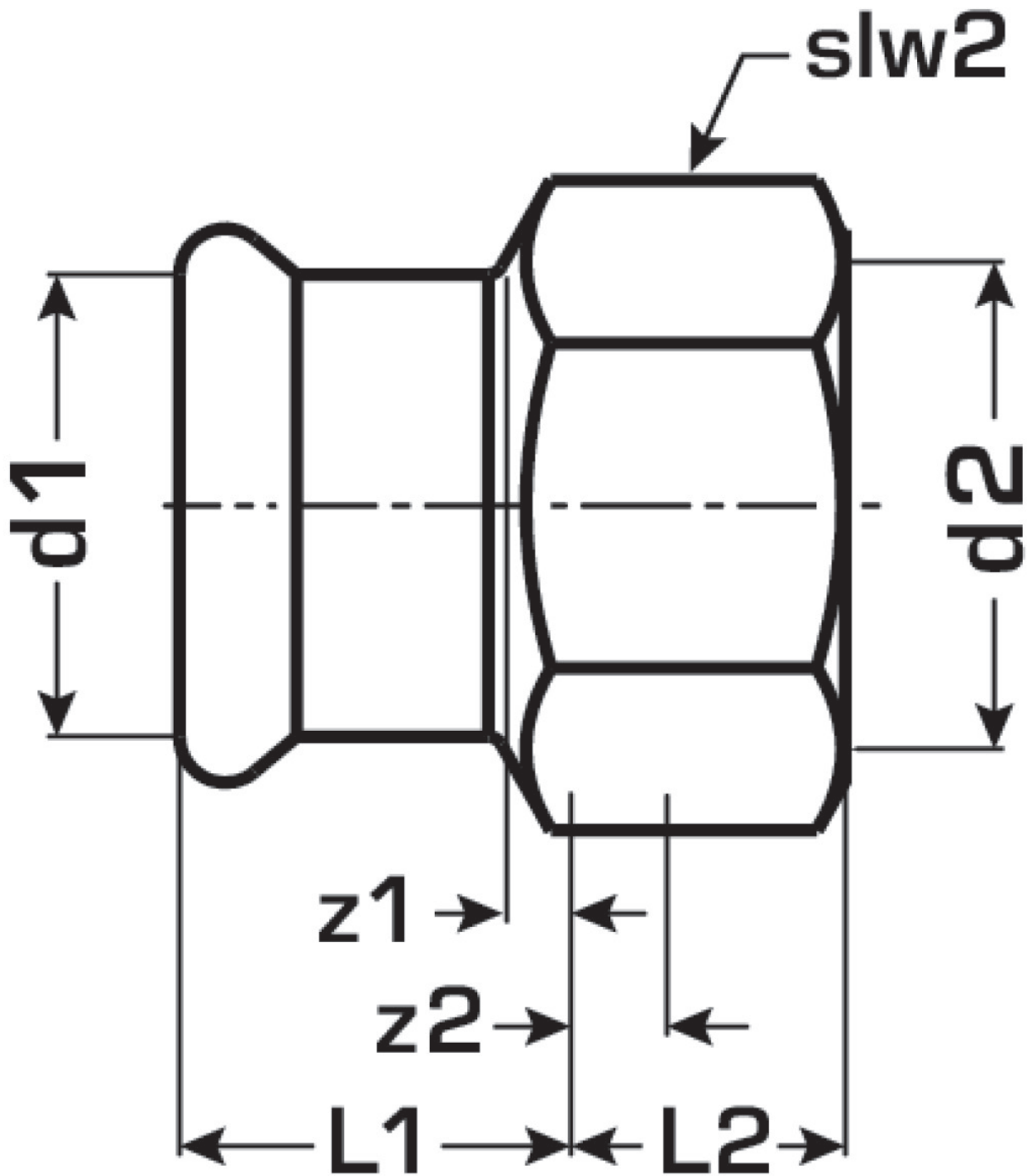
port 1	Pressmuffe
port 2	Innengewinde zylindrisch BSPT-Rp (ISO 7-1 / EN 10226-1)
execution	1-teilig
design	gerade
press contour	M

Technical properties

maximum working pressure at 20 ° C	16 bar
------------------------------------	--------

Product information

VPE1	4 SA1
VPE2	24 KT1
VPE3	600 DDP
weight	0,215 KGM
text	C-Steel press-adaptor female
INTRNR	73079980
main material group	STEELFIX
material group	C-STAHL pressfittings
code	CP457



Art. No	label	d2	d1 mm	L1 mm	L2 mm	z1 mm	z2 mm	slw2 mm
54706G07	42x6/4"	1 1/2 Zoll (40)	42	32	22	2	6	62