

# STEEL FIX C-STAHl

CP467 C-Steel press-elbow adaptor 90° female  
28x1"

54716E05

## Areas of application



Press-fit elbow adaptor 90° with female thread made of carbon steel coated with a zinc layer, incl. EPDM sealing components, d15-54 "leak before pressed"

Press contour: M

# Specifications

## Article information

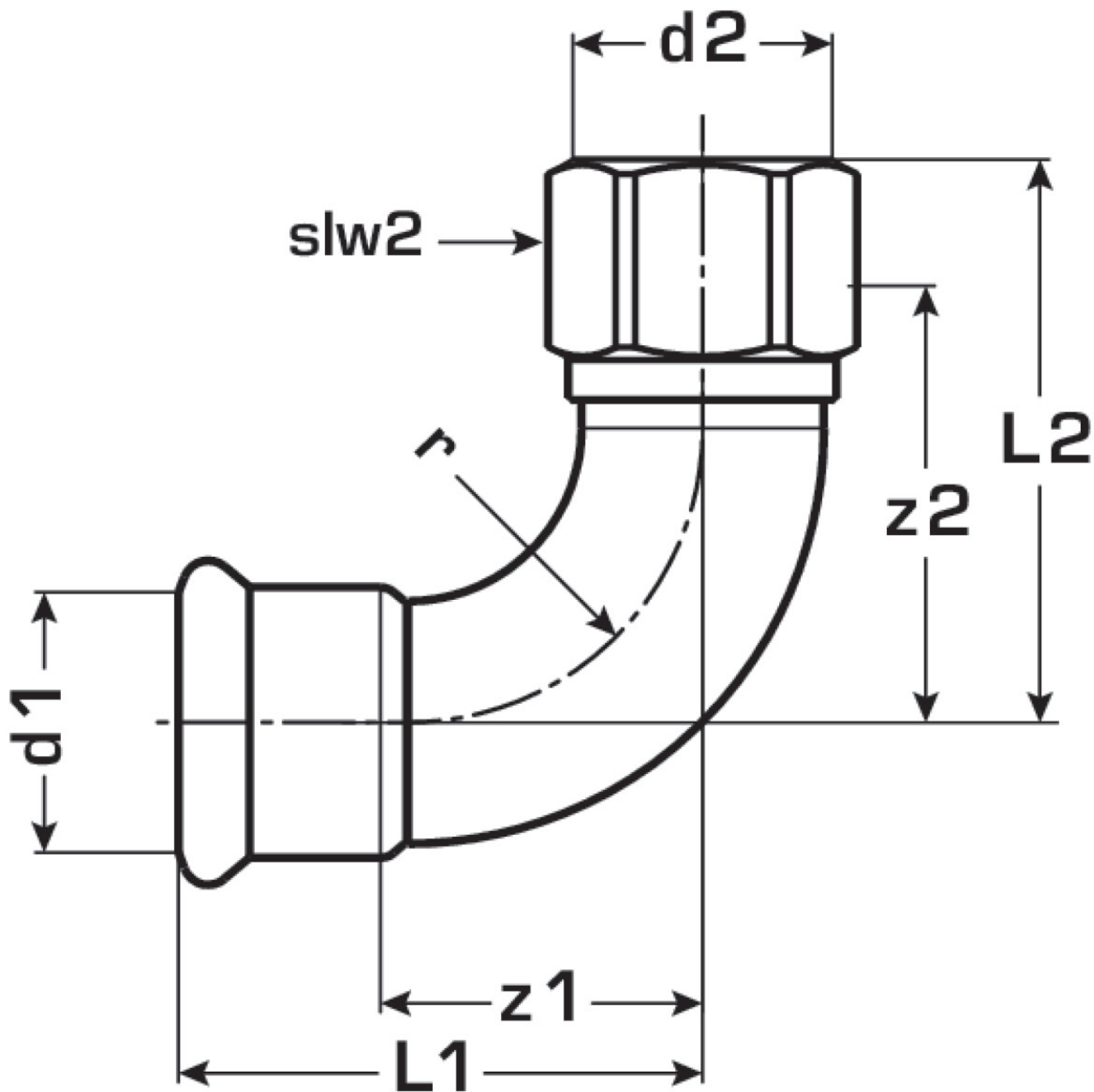
port 1	Pressmuffe
port 2	Innengewinde zylindrisch BSPT-Rp (ISO 7-1 / EN 10226-1)
execution	1-teilig
design	Bogen
angle	90 °
press contour	M

## Technical properties

maximum working pressure at 20 ° C	16 bar
------------------------------------	--------

## Product information

VPE1	5 SA1
VPE2	30 KT1
VPE3	750 DDP
weight	0,257 KGM
text	C-Steel press-elbow adaptor 90° female
INTRNR	73079980
main material group	STEELFIX
material group	C-STAHL pressfittings
code	CP467



Art. No	label	d2	d1 mm	L1 mm	L2 mm	z1 mm	z2 mm	slw2 mm
54716E05	28x1"	1 Zoll (25)	28	61	65	38	50	32