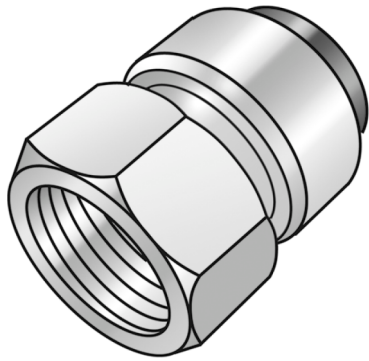


STEEL FIX EDELSTAHL

NF457 Stainless steel push-adaptor female
15x1/2"

53206B02

Areas of application



Push-in adaptor female made of stainless steel 1.4401, incl. EPDM sealing components and pull-out barriers, can be disassembled, to pressure-test Steelfix and copper pipes

ATTENTION, only use for pressure testing!

Approvals:



Specifications

Article information

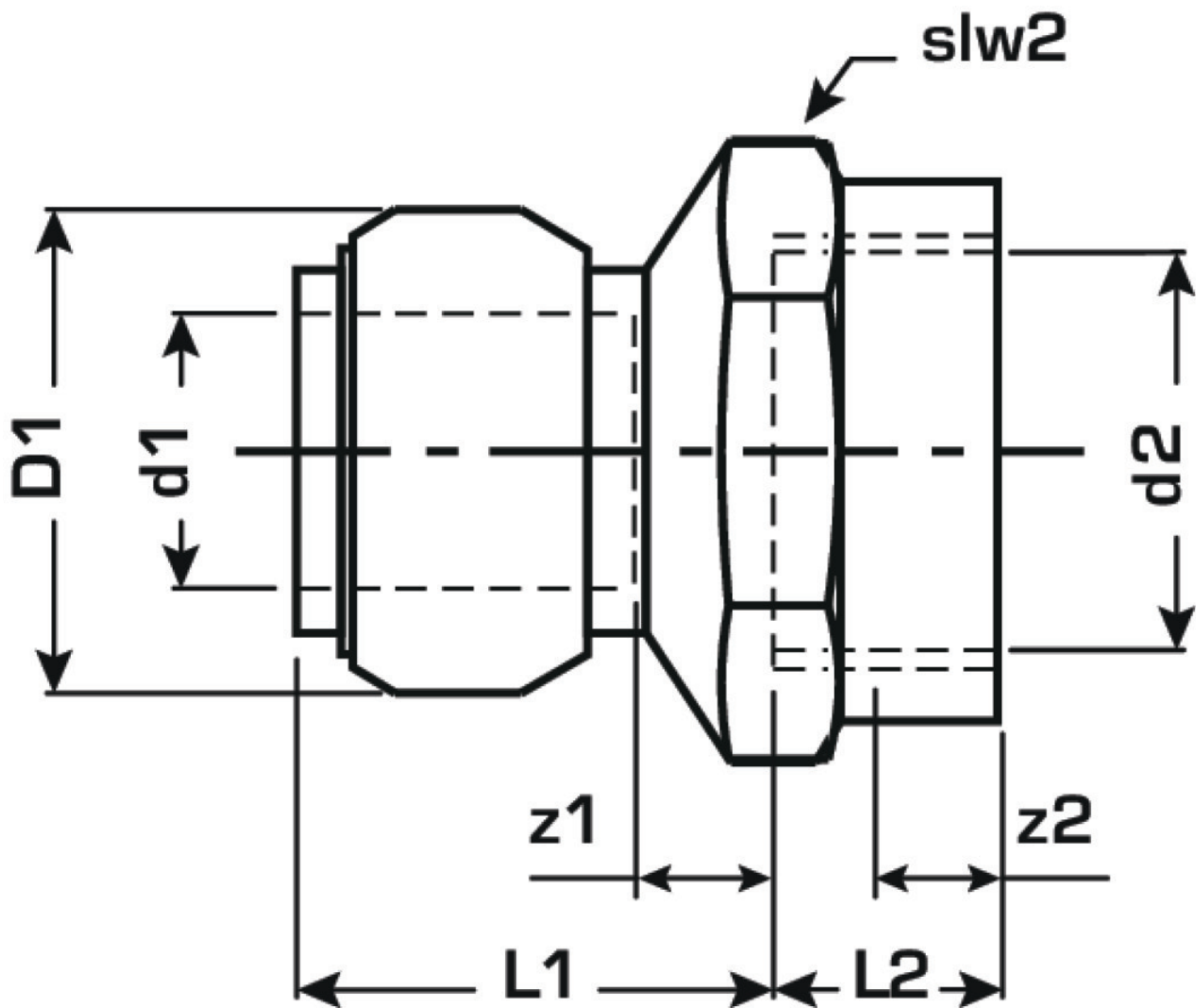
| | |
|-----------|----------|
| port 1 | Einsteck |
| port 2 | Einsteck |
| execution | 1-teilig |
| design | gerade |

Technical properties

| | |
|------------------------------------|--------|
| maximum working pressure at 20 ° C | 16 bar |
|------------------------------------|--------|

Product information

| | |
|---------------------|-------------------------------------|
| VPE1 | 10 SA1 |
| VPE2 | 150 KT1 |
| weight | 0,087 KGM |
| text | Stainless steel push-adaptor female |
| INTRNR | 73071990 |
| main material group | STEELFIX |
| material group | EDELSTAHL pushfittings |
| code | NF457 |



| Art. No | label | d2 | d1 mm | L1 mm | L2 mm | z1 mm | z2 mm | slw2 mm |
|----------|---------|------------------|-------|-------|-------|-------|-------|---------|
| 53206B02 | 15x1/2" | 1/2 Zoll (15) | 15 | 25 | 17 | 3 | 3 | 25 |