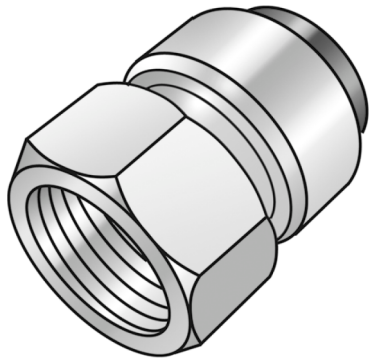


STEEL FIX EDELSTAHL

NF457 Stainless steel push-adaptor female
22x1/2"

53206D02

Areas of application



Push-in adaptor female made of stainless steel 1.4401, incl. EPDM sealing components and pull-out barriers, can be disassembled, to pressure-test Steelfix and copper pipes

ATTENTION, only use for pressure testing!

Approvals:



Specifications

Article information

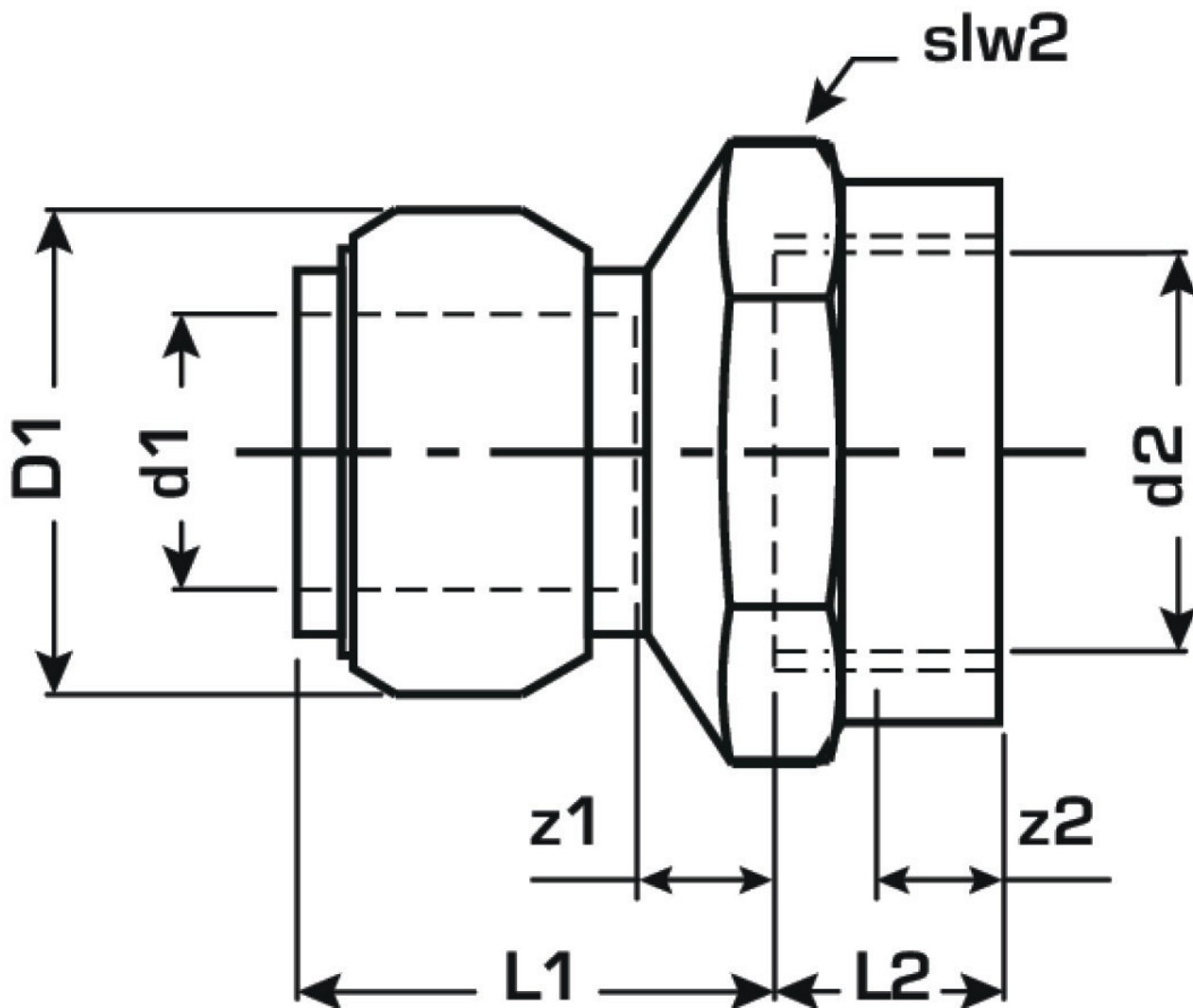
port 1	Einsteck
port 2	Einsteck
execution	1-teilig
design	gerade

Technical properties

maximum working pressure at 20 ° C	16 bar
------------------------------------	--------

Product information

VPE1	5 SA1
VPE2	50 KT1
weight	0,169 KGM
text	Stainless steel push-adaptor female
INTRNR	73071990
main material group	STEELFIX
material group	EDELSTAHL pushfittings
code	NF457



Art. No	label	d2	d1 mm	L1 mm	L2 mm	z1 mm	z2 mm	slw2 mm
53206D02	22x1/2"	1/2 Zoll (15)	22	30	17	3	3	25