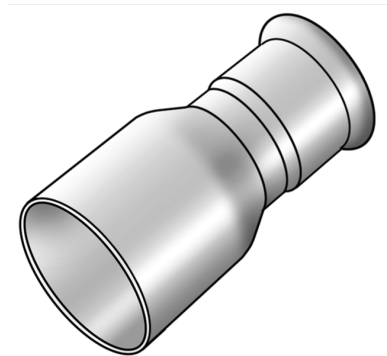


# STEEL FIX EDELSTAHL

NP411 Stainless steel press-red.socket  
male/female 35/15

53601FB0

## Areas of application



Press-fit reducing nipple, f/m, straight, made of stainless steel 1.4404, incl. EPDM sealing components, d15-54 "leak before pressed"

Press contour: M

## Approvals:



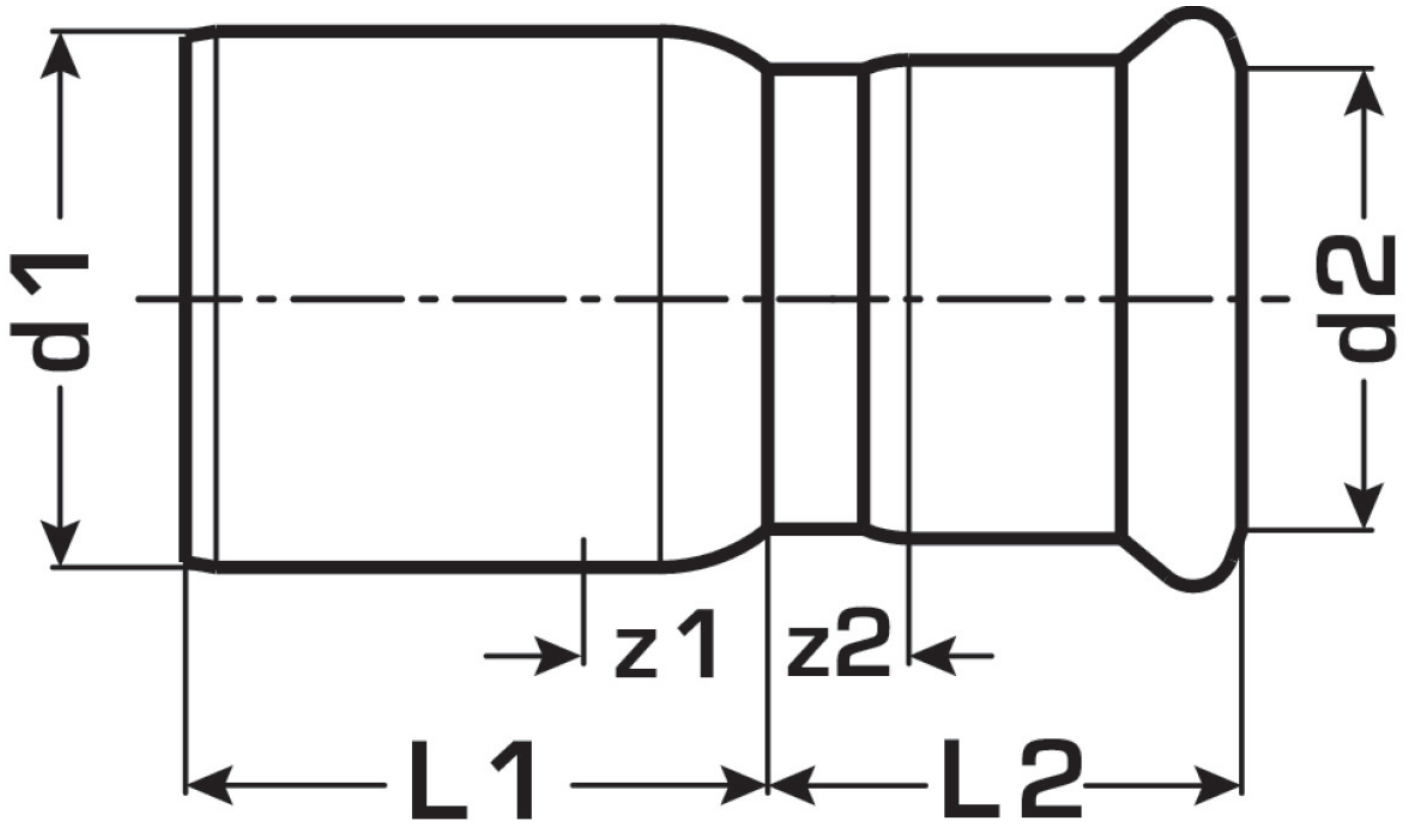
# Specifications

## Article information

port 1	Pressmuffe
port 2	Zapfen/Rohrende
execution	1-teilig
design	gerade
press contour	M

## Product information

VPE1	5 SA1
VPE2	60 KT1
VPE3	1500 DDP
weight	0,112 KGM
text	Stainless steel press-red.socket male/female
INTRNR	73072980
main material group	STEELFIX
material group	EDELSTAHL pressfittings
code	NP411



Art. No	label	d1 mm	d2 mm	L1 mm	L2 mm	z1 mm	z2 mm
53601FB0	35/15	35	15	32	47	12	21