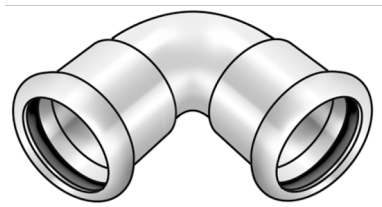


STEEL FIX EDELSTAHL

NP420 STEELFIX stainless steel press-fit elbow
90° 35

53615FF0

Areas of application



Press-elbow 90° stainless steel 1.4404, incl. EPDM sealing components, d15-54 "leak before pressed"

Press contour: M

Approvals:



KE KELIT GmbH

A 4020 Linz, Ignaz-Mayer-Straße 17, Austria, Europe

PHONE +43 (0) 50 779 E-MAIL office@kekelit.com

www.kekelit.com

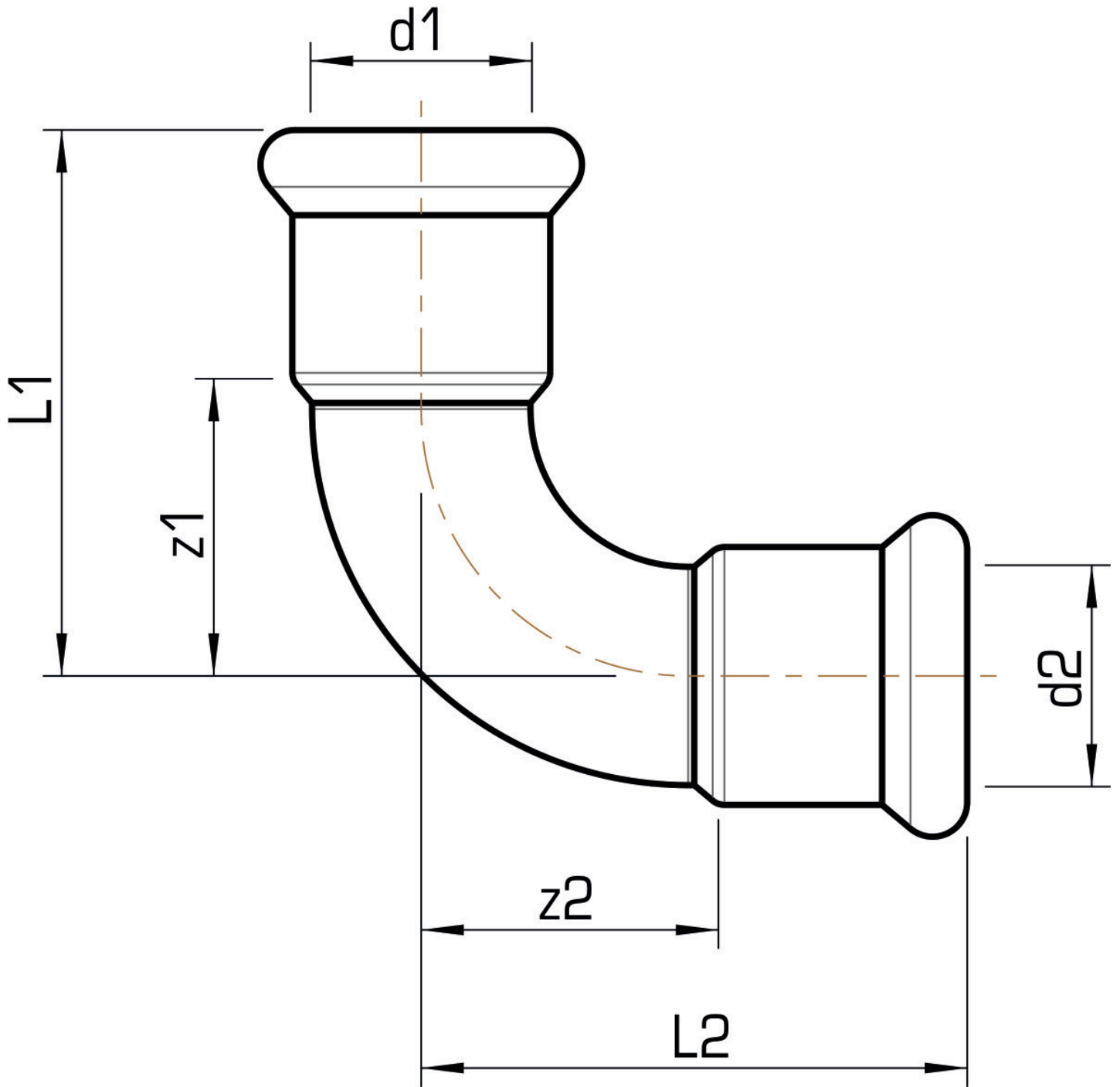
Specifications

Article information

| | |
|---------------|------------|
| port 1 | Pressmuffe |
| port 2 | Pressmuffe |
| execution | 1-part |
| design | Bogen |
| angle | 90 ° |
| press contour | M |

Product information

| | |
|----------------|----------------------------------------------|
| VPE1 | 5,00 SA1 |
| VPE2 | 20,00 KT1 |
| VPE3 | 500,00 DDP |
| weight | 0,312 KGM |
| text | STEELFIX stainless steel press-fit elbow 90° |
| INTRNR | 73072980 |
| material group | EDELSTAHL pressfittings |
| code | NP420 |



| Art. No | label | d1 mm | d2 mm | L1 mm | L2 mm | z1 mm | z2 mm |
|----------|-------|-------|-------|-------|-------|-------|-------|
| 53615FF0 | 35 | 35 | 35 | 71 | 71 | 45 | 45 |